



## VBLWL-410-4-CCT-S



Our VIBE Sensored Single LED Security Spotlight is subtly stylish & practical as it delivers single spot lighting and features an optional PIR sensor with a 12m max detection range. Complete with a Weatherproof IP44 Rating. Includes a 50,000 hour lifespan and 3 year warranty. Twin Spot available as well.

### Features & Benefits

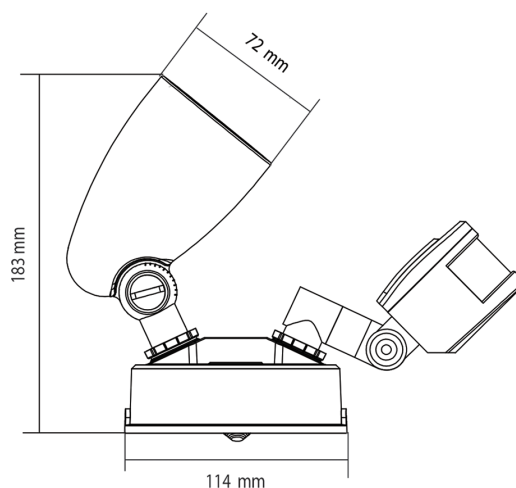
- Adjustable PIR sensor functions on time, motion and light sensitivity
- Easily switchable colour changing temperature (3CCT) warm white 3000K to daylight 6000K
- Made from durable die cast aluminium and plastic
- IP44 weather resistant for outdoor use
- Independently Adjustable heads
- Easy installation
- 20,000 hour lifespan
- 3 year warranty

## Specifications

<b>SKU</b>	VBLWL-410-4-CCT-S
<b>Luminaire efficacy</b>	100 lm/W
<b>EAN</b>	9340994027470
<b>Weight</b>	0.45
<b>Light Colour</b>	3CCT
<b>Wattage</b>	10 W
<b>Lumen output</b>	1000 lm
<b>IP rating</b>	44
<b>CRI</b>	80
<b>Beam Angle</b>	105 Degrees
<b>Trim colour</b>	Black
<b>Diameter</b>	180 mm
<b>Length</b>	240 mm
<b>Height</b>	208 mm
<b>Lifespan</b>	20000 Hours
<b>Warranty</b>	3 Years
<b>Mounting type</b>	Surface
<b>LED source</b>	SMD
<b>Material</b>	Aluminum & Plastic
<b>Lamp Type</b>	LED
<b>Input voltage</b>	240 Volt AC 50HZ
<b>Wiring method</b>	Hardwire
<b>Weatherproof</b>	Non-weatherproof
<b>Working temperature</b>	-20 to 40 degrees
<b>Box Qty</b>	24



## Dimensional Drawings



Photometric information available upon request.