

## 500 Series

### VBLSL-500-110W-4-40

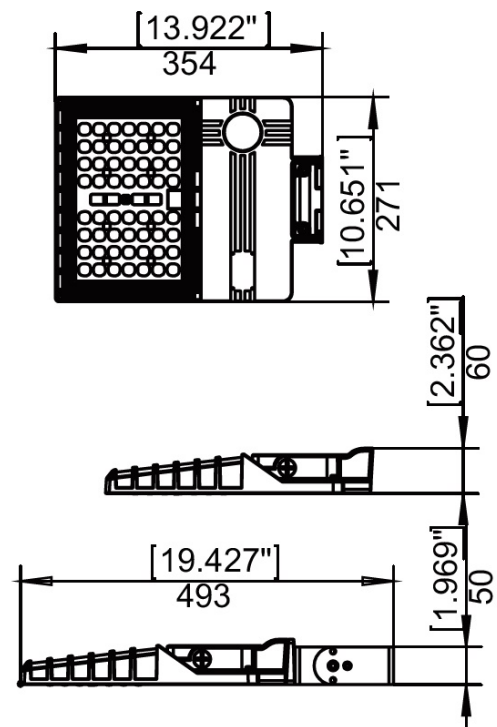


#### Specifications

SKU	VBLSL-500-110W-4-40
Luminaire efficacy	150
EAN	9340994026602
Light Colour	Cool White
Wattage	110
Lumen output	16500
IP rating	66
IK Rating	10
CRI	80
Lifespan	60000
Warranty	10
Mounting type	Surface
LED source	SMD
Material	DIE CAST ALUMINUM
Lamp Type	LED
Input voltage	240 Volt AC 50HZ
Wiring method	Hardwire
Working temperature	-20°C ~ 40°C



#### Dimensional Drawings



Photometric information available upon request.