



## Cyanosis COI

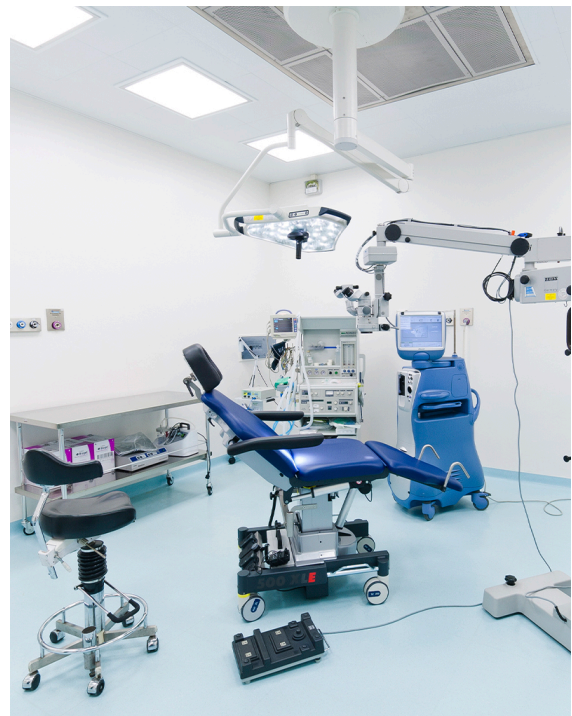
### VBLFP-606-1-COI



Our 42W, 595x595mm Cyanosis Series LED Panel Light are the best option for medical applications. At 4000K, a 3780 lumen output, and a CRI 98+, these lights allow practitioners to detect the bluish-purple hue in the skin associated with Cyanosis. Includes 50,000 hour lifespan and 5 year warranty.

### Features & Benefits

- Featuring a Cyanosis observation index of 1.17
- Low glare (UGR<19)
- High light output, low energy consumption
- Wide beam angle with even light distribution
- White trim
- Standard as non-dimmable however different dimming protocols available upon request (Lead times will apply)
- IP54 front only
- 50,000 hours lifespan
- 5 years warranty

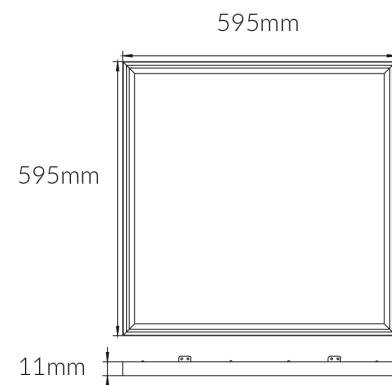


## Specifications

SKU	VBLFP-606-1-COI
<b>Luminaire efficacy</b>	90 lm/W
<b>EAN</b>	9340994408712
<b>Weight</b>	4
<b>Light Colour</b>	Cool White
<b>Wattage</b>	42 W
<b>Lumen output</b>	3780 lm
<b>IP rating</b>	54
<b>CRI</b>	98
<b>Beam Angle</b>	120 Degrees
<b>Trim colour</b>	White
<b>Cut out</b>	595x595 mm
<b>Length</b>	595 mm
<b>Height</b>	595 mm
<b>Lifespan</b>	50000 Hours
<b>Warranty</b>	5 Years
<b>Dimmable</b>	Non-Dimmable
<b>Mounting type</b>	Recessed
<b>LED source</b>	Seoul Semiconductor
<b>Lamp Type</b>	LED
<b>Input voltage</b>	220V-265V AC 50hz
<b>Diffuser</b>	Frosted
<b>Wiring method</b>	Flex & Plug
<b>Weatherproof</b>	Weatherproof
<b>Working temperature</b>	-20°C ~ 45°C
<b>Box Qty</b>	5
<b>Kelvin</b>	4000K



## Dimensional Drawings



Photometric information available upon request.