



166 Series

VBLDL-166-1-30



Our 7W White 166 LED Downlight Series offers a versatile gimbal design for focussed lighting with a 0-30° tilt. It is available in 3000K with a 620 lumen output, using high efficiency EPISTAR LED Chips. It provides a smooth and uniform light output through its high transmittance TIR lens. Includes a 50,000 hour lifespan and 3 year warranty.

Features & Benefits

- Thermal plastic design for better thermal dissipation
- Equipped with high efficiency EPISTAR LED chips
- Smooth and uniform light output through high transmittance TIR lens
- 0-30° adjustable gimbal design
- Dimmable with most trailing edge dimmers
- 40,000 hour lifespan
- 3 year warranty

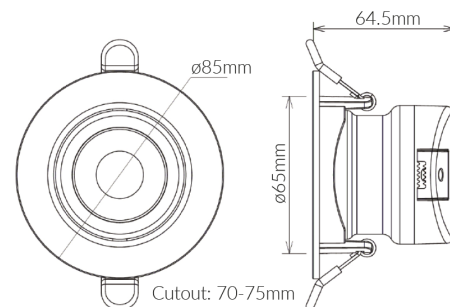


Specifications

SKU	VBLDL-166-1-30
Luminaire efficacy	89
EAN	9340994017075
Light Colour	Warm White
Wattage	7
Lumen output	620
IP rating	20
CRI	80
Beam Angle	60
Trim colour	White
Cut out	70-75
Diameter	85
Lifespan	40000
Warranty	3
Dimmable	Dimmable
Mounting type	Recessed
LED source	Epistar
Material	Thermal Plastic
Lamp Type	LED
Dimming	Triac Dimming
Input voltage	220V-265V AC 50hz
Wiring method	Flex & Plug
Weatherproof	Indoor Use Only
Working temperature	-20°C ~ -45°C
Kelvin	3000K



Dimensional Drawings



Photometric information available upon request.