

VB-ALP5075R-2.5M

IP20

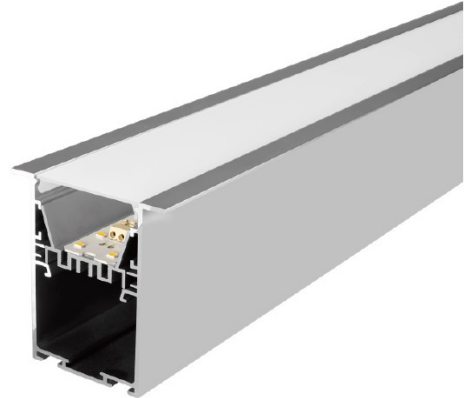
Vibe's Series of Aluminium Profiles use high quality 6063-T5 aircraft Aluminium and environmentally friendly PMMA (polymethyl methacrylate) or PC (polycarbonate) covers, producing an elegant appearance with excellent heat dissipation. Please note: Required end caps, mounting clips and LED Strip Lighting sold separately under code VB-ALP-ACC & VBLST.

Features & Benefits

- Applicable Max Power: <55W P/M
 - Recessed extrusions are suitable for many areas including under cabinets, in ceilings or walls & in various locations to help achieve an architectural design advantage.
 - Perfect for seamless continuous linear lighting
 - Prolong the life of your LED strip lights by dissipating the heat generated during operation
 - Most (not all) are supplied in 1M, 2M, & 3M lengths & can also be customised upon request.
 - PC/PMMA Opal Diffuser
 - All available as standard Anodised Aluminium colour
- * Some models/sizes available in Black & White
** Custom colour also available on request

Specifications

SKU	VB-ALP5075R-2.5M
EAN	9340994025605
IP rating	20
Length	2500 mm
Width	50 mm
Height	75 mm
Accessories	2x End Caps, Inner Clips & Recessed Mounting Clip
Weatherproof	Non-weatherproof



Photometric information available upon request.