



018 Series - 2M

VB-ALP018-2M

IP20

Vibe's Series of Aluminium Profiles use high quality 6063-T5 aircraft Aluminium and environmentally friendly PMMA (polymethyl methacrylate) or PC (polycarbonate) covers, providing an elegant appearance and excellent heat dissipation. Equipped with a PMMA Opal Diffuser the profile light range has a large variety of shapes and lengths to suit any lighting challenge. Extrusion only, required end caps, light strips and mounting clips sold separately under code VB-ALP-ACC & VBLST.

Features & Benefits

- Applicable Max Power: <25W P/M.
 - Surface mounted extrusions are the perfect answer when the design doesn't allow or doesn't warrant a recessed profile & in many cases you will find a recessed profile has a surface mount "twin brother" in both size & shape.
 - Suspended Extrusions look great over any kitchen bench, reception desk or bar top etc and make any retail shop display look stylish and modern.
 - Prolong the life of your LED strip lights by dissipating the heat generated during operation
 - Perfect for seamless continuous linear lighting
 - Most (not all) are supplied in 1m, 2m & 3m lengths & can also be customised upon request.
 - PC/PMMA Opal Diffuser • All available as standard Anodised Aluminium colour
- * Some models/sizes available in Black & White

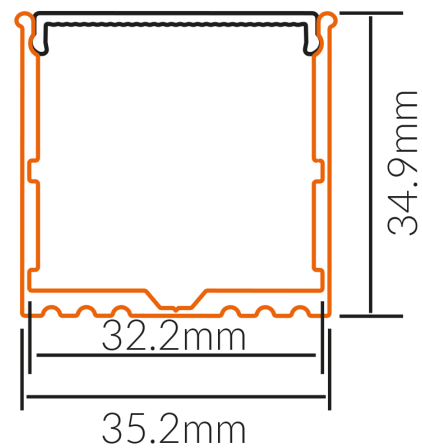
** Custom colour also available on request

Specifications

SKU	VB-ALP018-2M
EAN	9340994403434
IP rating	20
Length	2000 mm
Height	35 mm
Mounting type	Surface
Material	Aluminium
Accessories	2x End Caps, Metal Mounting Clip & Suspension Kit
Diffuser	Opal
Weatherproof	Non-weatherproof



Dimensional Drawings



Photometric information available upon request.