



Trinity 56

High airflow, efficient DC motor and modern design

56 INCH
142 CM

34 WATTS
ON HIGH

210 RPMs
ON HIGH

MODERN AND SLEEK DESIGN

Sleek and elegant, the Trinity ceiling fan blends a modern design with aerodynamic performance to create the perfect cooling solution for your contemporary decor.

HIGH PERFORMANCE COOLING

Enjoy powerful cooling from the Trinity's high performance motor and aerodynamic fluted blade design, ideal for even the hottest climates.

MOULDED POLYMER BLADES

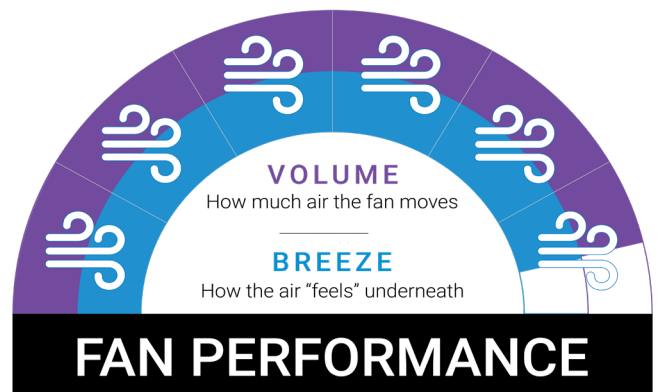
Crafted from polymer (a high-grade plastic), the Trinity's blades are durable, easy to clean as well as being safer and quieter than metal blades.

DC MOTOR TECHNOLOGY

The Trinity ceiling fan is powered by a high performance and highly efficient DC motor that uses up to 70% less energy than traditional AC ceiling fans.

20W CCT LED LIGHT KIT NOW AVAILABLE

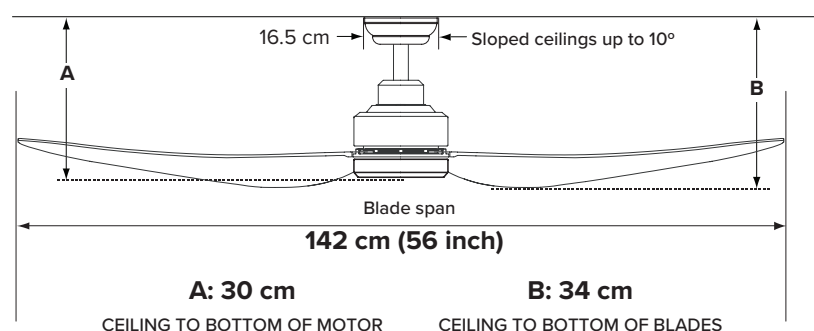
Trinity V2 now has an option for a 20W LED Light Kit that includes colour changing technology (CCT) to allow you to shift between Cool, Warm and Daylight colour temperatures. The LED Light Kit also supports dimming from the remote control hand piece.



FAN PERFORMANCE

Fan Speed (H:8/M:4/L:1) (Revolutions Per Minute)	210 / 141 / 89 RPM
Energy usage (H:8/M:4/L:1) (Watts)	34 W / 12 W / 5 W
Airflow volume (H:8/M:4/L:1) (Cubic metres per hour)	13,160 / 9,660 / 5,924 CMH
Efficiency (H:8/M:4/L:1) (CMH / W)	387 / 805 / 1,185 CMH / W

The Fan Performance Indicator is a guide to show customer's how much air the fan moves as well as how the airflow "feels" when you stand underneath. This is a guide only. Refer to our website for more information.



TRINITY 56" - NO LIGHT



TRI56BK

Trinity DC 56" (142cm) Black motor with Black polymer blades



TRI56MW

Trinity DC 56" (142cm) Matte White motor with White polymer blades



TRI56OB

Trinity V2 DC 56" (142cm) Oil-rubbed Bronze motor with Koa polymer blades

TRINITY 56" WITH 20W CCT LED LIGHT

CCT: Warm (3000K) | Cool (4000K) | Daylight (5000K)

LUMENS: Warm (1100) | Cool (1130) | Daylight (1200)



TRI56BKLED

Trinity V2 DC 56" (142cm) Black motor with Black polymer blades and 20W LED Light Kit



TRI56MWLED

Trinity V2 DC 56" (142cm) Matte White motor with White polymer blades and 20W LED Light Kit



TRI56OBLED

Trinity V2 DC 56" (142cm) Oil-rubbed Bronze motor with Koa polymer blades and 20W LED Light Kit

Remote Control

The Trinity DC ceiling fan includes a stylish 8 speed remote control as standard. The receiver control module has been rated for 255V usage for increased durability and reliability to better handle real-world Australian grid voltage fluctuations.

- Enjoy 8 speed settings for your ceiling fan
- Forward and reverse function for year-round comfort
- Natural wind setting for added relaxation
- Convenient timer off function built in

Fan Speed

1 - Lowest speed
8 - Highest speed

Forward / Reverse

Anti-clockwise or clockwise rotation

Light Control

Light On/Off
Light Dimming

Power off

Turns the fan off

Natural Wind

Fan speed changes within its range creating a sea-breeze effect

Fan Timer Off

1h - Fan turns off after 1 hour
3h - Fan turns off after 3 hours
6h - Fan turns off after 6 hours
8h - Fan turns off after 8 hours

Turn the BEEP ON or OFF

Hold the fan Power Off button for 5 seconds to enable or disable the beep noise your fan makes when changing settings.

Downrods

	90 cm (36")	180 cm (72")
Black	DRTL-36BL	DRTL-72BL
Matte White	DRTL-36MW	DRTL-72MW
Oil-rubbed Bronze	DRTL-36OB	DRTL-72OB



360fans.com.au

Ver 1.6 (Oct 2020)