

# Arumi 52"

High performance, sleek and modern design

**52** INCH  
132 CM

**77** WATTS  
ON HIGH

**197** RPMs  
ON HIGH

## MODERN AND SLEEK DESIGN

Sleek and elegant, the Arumi ceiling fan blends a modern design with aerodynamic performance to create the perfect cooling solution for your contemporary decor.

## HIGH PERFORMANCE COOLING

Enjoy powerful cooling from the Arumi's high performance motor and aerodynamic blade design, ideal for even the hottest climates.

## MOULDED POLYMER BLADES

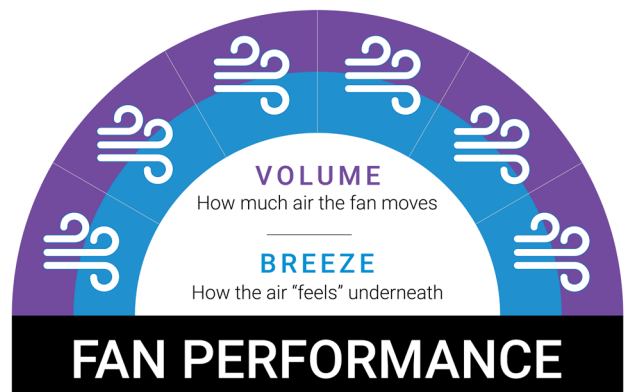
Crafted from polymer (a high-grade plastic), the Arumi's blades are durable, easy to clean as well as being safer and quieter than metal blades.

## LED LIGHT KIT ADAPTABLE

For those times you need your ceiling fan to also be a light source, the Arumi has a sleek and stylish 17W dimmable LED light kit available (sold separately).

Fan Dimensions per Downrod			
For ceilings	Downrod (ø26 mm)	A	B
2.4m – 2.9m	12 cm (4.5 inch) ^	33 cm	30 cm
3m – 4m	90 cm (36 inch) #	111 cm	108 cm
4m – 5.5m	180 cm (72 inch) #	201 cm	198 cm
Light Kit increases A by 0 cm			

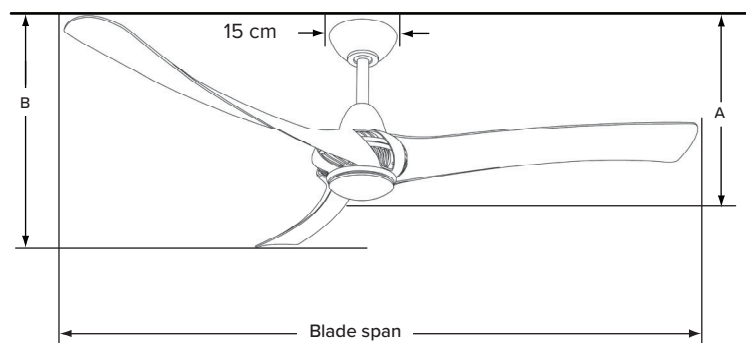
^Standard downrod included with fan. #Optional downrod available for purchase.



## FAN PERFORMANCE

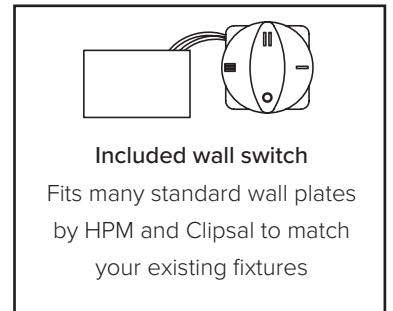
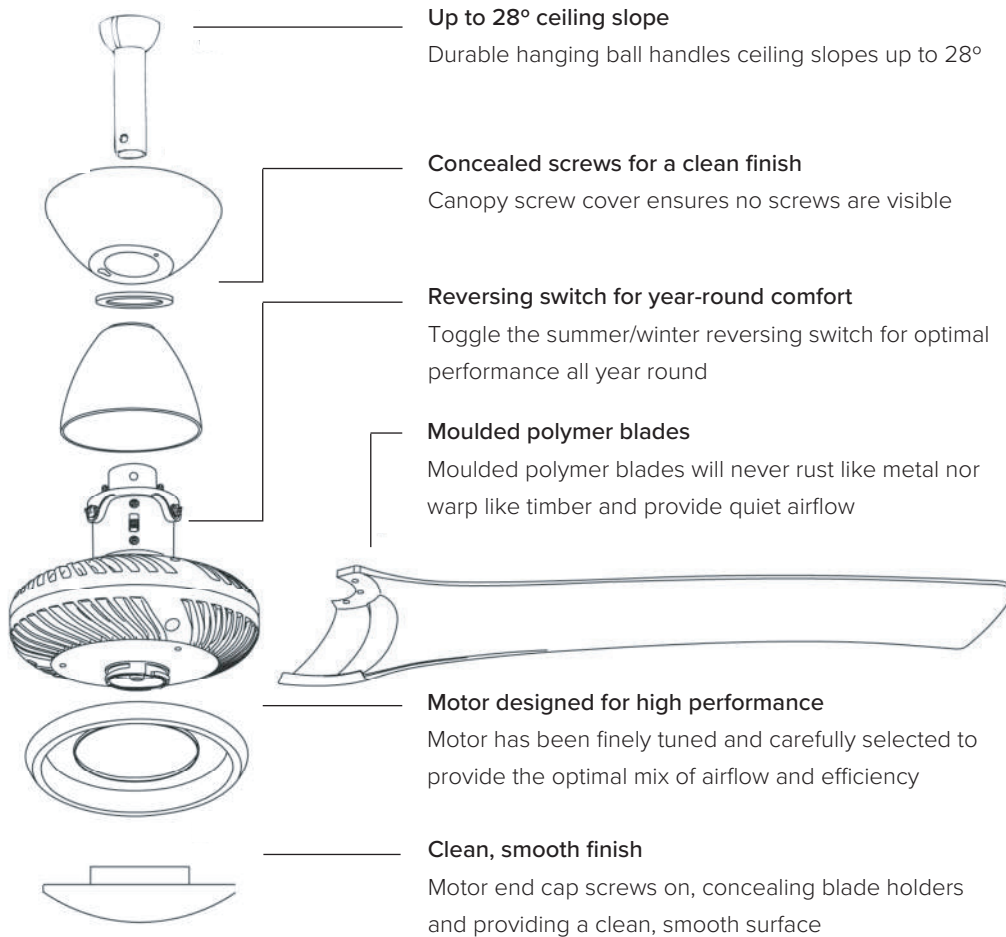
Fan Speed (H/M/L)	197 / 127 / 75 RPM
Energy usage (H/M/L)	77 / 35 / 14 W
Airflow volume (H/M/L)	15,300 / 9,860 / 5,820 m <sup>3</sup> / hr
Efficiency (H/M/L)	198 / 281 / 415 m <sup>3</sup> / hr / W

The Fan Performance Indicator is a guide to show customer's how much air the fan moves as well as how the airflow "feels" when you stand underneath. This is a guide only. Refer to our website for more information.



**132 cm (52 inch)**

Net hanging weight: 7 kg



**Downrods**

	90 cm (36")	180 cm (72")
Pewter	DR1-36PW	DR1-72PW

**Remote Control**

Compatible with 3-speed AC remote controls



**RC4**

Three-speed remote control (fan and light).

Compatible with dimmable and non-dimmable lamps.