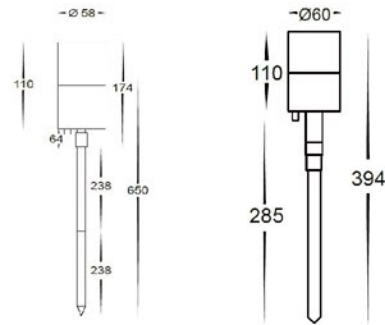




PRODUCT FEATURES

- Single adjustable spike spotlight
- IP rating: IP65
- MR16 12v 20W max
- Solid Copper/Stainless Steel 316/Aluminium
- 250mm extension rod (Optional)

DIMENSIONS



Model No.	Input	Power	Lumen	CCT	Beam Angle
MR16 9W WH/WW	AC/DC 12V	9W	540lm	3000K	120°
MR16 9W WH/DL	AC/DC 12V	9W	540lm	6000K	120°