

# Double Post Light



18x SMD LED  
(Cool White)  
@ 0.2wea\*



1x SMD LED  
(Warm White)  
@ 0.2wea\*



1x 3.6V  
2.3Ah NiMH\*



2.4W Integrated  
Polycrystalline\*



Dust & Water  
Protection\*

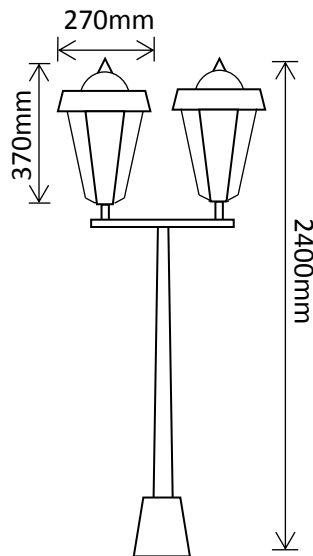


Aluminium Alloy  
Construction\*



200 Lumens  
at 1 metre\*

\*specifications per light



## SLDPL0012B-7.6W

### Features:

- Built in Photo Electric Cell
- High/Low Setting
- 6-8 hours Operation per day
- Tapered Aluminium Post
- Decorative Mounting Base
- Glass Lampshade
- Black P.C. Finish
- **1 Year Warranty!**



## SLDPL0009B-7.6W

### Features:

- Built in Photo Electric Cell
- High/Low Setting
- 6-8 hours Operation per day
- Tapered Aluminium Post
- Decorative Mounting Base
- Glass Lampshade
- Black P.C. Finish
- **1 Year Warranty!**

