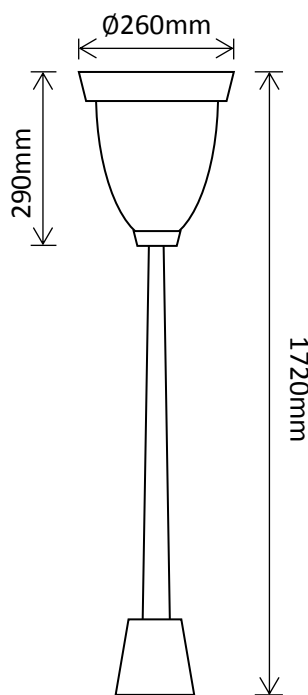


Single Head Post Light with Motion Sensor



SLDPL0007A-S2-6.2W-PIR



Features:

- Pyro-electric Infrared Sensor
- Built in Photo Electric Cell
- 1minute Sensor Run Time
- 6-8 hours Operation per day
- Reeded Aluminium Post
- Decorative Mounting Base
- Black Powder Coated
- Glass Lampshade



31x SMD LEDs
@ 0.2W ea



1x 3.6V 3.6AH
NiMH Batteries



3W Built-In
Solar Panel



Dust & Water
Protection



Aluminium Alloy
Construction



350 Lumens at 1
metre

Refer to pages 80-81 for motion sensor operating specs

