

# 24W Batten Light



384x SMD  
2835 LEDs  
(Dual Colour)



1x 12v 24Ah  
Li-Ion Battery



Strength and  
Durability Rating



Dust & Water  
Protection



Die-Cast  
Aluminium Body



3000 Lumens  
at 1 metre



Built in  
Microwave Sensor



## SLDBTL24W

### Features:

- "Plug and Play" Installation
- Dual Colour LED Technology
- RF Remote Control Operation
- Built-in MPPT Controller
- Dimmable
- Auto Mode
- Manual Mode
- 10m Connection Cable
- Suspension cable included
- **3 Year Warranty!**

*\*SOLAR PANEL SOLD SEPARATELY*

## ACCESSORIES

### SLDY-CON

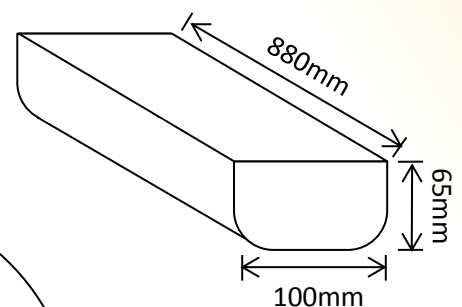


"Y" connector to  
allow multiple  
commercial light  
connections to  
one Solar Panel

### SLDBTL-EXTCABLE



10m  
Extension  
Cable to suit  
Batten Light  
models



# UNDERSTANDING YOUR REMOTE

## SLDBTL18W & SLDBTL24W

**Button 1 – Manual Mode 1** – When pressed, this button will set your light to operate manually via the On & Off buttons on the remote control. This mode **by-passes** the Dusk to Dawn feature of the on-board smart controller. Your light will remain illuminated at full brightness until manually turned off.

**Button 2 – Manual Mode 2** – When pressed, this button will set your light to operate manually (Day or Night) & **by-passes** the Dusk to Dawn feature of the on-board smart controller, it will illuminate at full brightness once the built-in Microwave sensor detects movement with a pre-programmed run time of approximately 10 minutes. When no further movement is detected the light will switch off and await further triggers from the sensor.

**25% Button – Auto Mode 1** – When pressed, this button will set your light to operate automatically from Dusk to Dawn via the on-board smart controller and remain illuminated at full brightness until it becomes daylight or the battery loses charge. This function is controlled by the Solar Panel

**Mode Button – Auto Mode 2** – When pressed, this button will set your light to operate automatically from Dusk to Dawn via the on-board smart controller and illuminate at full brightness once the built-in Microwave sensor detects movement with a pre-programmed run time of approximately 10 minutes. Once no further movement is detected the light will switch off and await further triggers from the sensor

### TIMER FUNCTION

When in either Auto Mode 1 or Manual Mode 1, if buttons 3-6 are pressed, the light will remain on for the respective amount of hours.

I.e., if the 25% button is pressed and then button 4 is also pressed the light will turn on once it gets dark and stay on for approximately 4 hours.

