

PUL2100WB

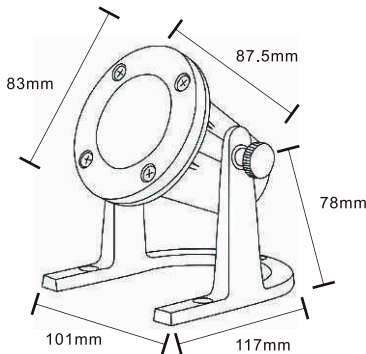
MATERIAL / FEATURES

- Heavy Duty Cast Brass
- Heat Resistant Glass Lens
- Easy Lamp Replacement
- Includes Heavy Cast Brass Adjustable Weighted Bracket
- Watertight Sealed Wire Ingress Grommet
- Brass Thumb Screws on bracket for easy field adjustment
- Watertight Sealed Gasket
- Finish
 - Chemically Aged finish - Brass
 - (WB) – Weathered Brass
 - WB Brass finish will patina / tarnish depending on environmental conditions



SPECIFICATIONS

- 12 Volt Fixture
- 25' Submersible Rated Lighting Wire Lead
- Hi-temp ceramic socket w/nickel contacts, stainless steel springs, and Teflon jacketed wire leads
- Globe required – MR16 50W Max
- IP Rating: IP68



PART NUMBER	Colour	COLOUR TEMP	LUMENS	INPUT	INCLUDED LED
PUL2100WB	Weathered Bronze				No globes supplied
PUL2100WB- PLXC5	Weathered Bronze	2700K	400	12V AC/DC	5W MR16 PLXC5-MR16-FL-27K