



Replacement  
Warranty

**10W DIMMABLE TRICOLOUR LED  
DOWNLIGHT KIT WITH RECESSED DIFFUSER  
TLTD34510WD / TLTD34510MD**

Ideal for  
residential  
installation



A 10W DIMMABLE LED FIXED DOWNLIGHT WITH A HIGH LUMEN OUTPUT OF UP TO 970LM. BOTH ENERGY EFFICIENT AND BRIGHT, IT IS COST EFFECTIVE SOLUTION WITH OUTSTANDING PERFORMANCE.

- Ideal for new or retro-fit installations with a standard 90mm hole cut-out
- Available in matt white or matt black trim with frost white diffuser
- Flush recessed frame design for a seamless look
- IP44 rated - front fascia ONLY
- IC-4 and IC-F rated - can be safely covered and abutted to building insulation
- SAA approved with integrated LED driver



Tricolour



Light Output



Cutout Size



Dimmable



IP Rating



LED Lifetime

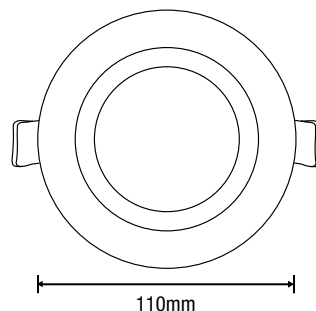
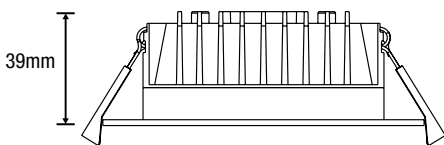


IC-Rated



IC-Rated

**DIMENSIONS**



Aust/NZ Approval No.  
SAA-183788

## 10W DIMMABLE TRICOLOUR LED DOWNLIGHT KIT WITH RECESSED DIFFUSER

### FEATURES

- 2 year replacement warranty
- A dimmable low glare tricolour LED recessed downlight
- Kit includes 10W SMD tricolour switchable LED downlight, 110mA dimmable LED driver with 900mm flex and plug
- The dimmable LED module is fully compatible with Martec trailing edge dimmers MTD350VAR and MTD350VAP
- Advanced heat sink diffusion
- High quality die cast aluminium construction
- IC-F and IC-4 abutted rated

### SPECIFICATIONS

<b>Model name</b>	Titan II
<b>Model number</b>	TLTD34510WD Matt White TLTD34510MD Matt Black
<b>Power wattage</b>	10W
<b>Input voltage</b>	220-240V~50Hz
<b>Housing</b>	High quality die cast aluminium construction
<b>LED type</b>	SMD
<b>CRI</b>	≥80
<b>Beam angle</b>	100°
<b>Tricolour</b>	3000K, 4000K, 5000K
<b>Lumens</b>	900lm/930lm/970lm
<b>Product size</b>	Dia 110mm x H39mm
<b>Flex and plug</b>	Yes
<b>Operating temperature</b>	TA: 25°C
<b>Class</b>	Class 2
<b>Rated lifetime</b>	50,000hrs @25°C ambient (when covered with thermal insulation)



### INSTALLATION

<b>Installation</b>	By licensed electrician only
<b>Warranty</b>	2 year replacement warranty

\*For further information regarding warranty terms and conditions, please refer to enclosed warranty statement. Warranty is void unless installed by a licensed electrician.

### SHIPPING

<b>Packaging size</b>	L380mm x W260mm x H400mm
<b>Carton quantity</b>	30 pcs
<b>Gross weight</b>	9.70kg

### AVAILABLE COLOURS



Model	Colour	Barcode
TLTD34510WD	Matt White	9 312375 505082
TLTD34510MD	Matt Black	9 312375 505099