



Replacement
Warranty

**15W, 24W, 35W TRICOLOUR DIMMABLE
IP54 ROUND SLIMLINE LED CEILING OYSTER LIGHT**

MLCO34515WD/MLCO34515MD/MLCO34524WD/MLCO34524MD/MLCO34535WD/MLCO34535MD

**WHITE
OR
MATT
BLACK**



Applications: Ideal for any residential or commercial interior space.

- Switchable between 3000K, 4000K & 5000K
- IP54 Weatherproof resistant
- Surface or wall mountable LED light
- Modern slimline round design
- Provides a uniform light-output using SMD LED technology
- Polycarbonate diffuser
- Integrated dimmable driver
- Rated LED Lifetime of 40,000 hours
- 2-Year Replacement Warranty



Tricolour



Dimmable



IP Rating



Energy Efficient



LED Lifetime



Light Output
15W

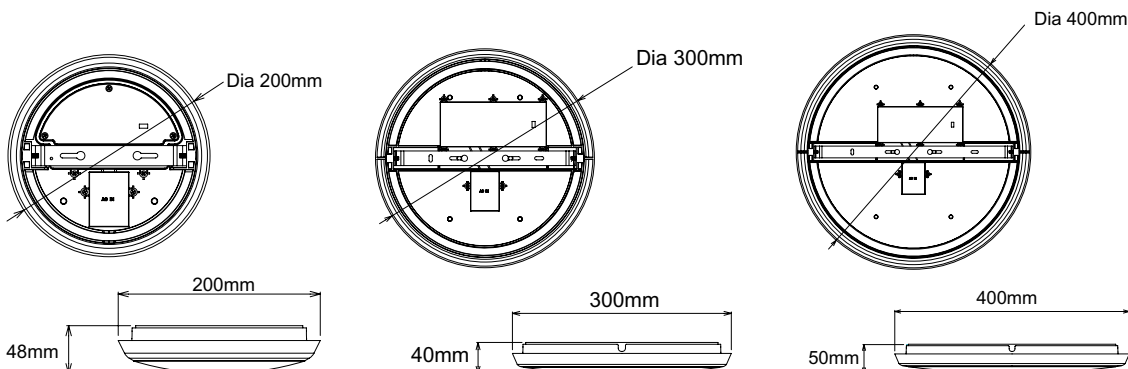


Light Output
24W



Light Output
35W

DIMENSIONS



SAA Approval No:
GMA-508276
Standards: AS/NZS 60598.1
AS/NZS 60598.2.2



15W, 24W, 35W TRICOLOUR DIMMABLE IP54 ROUND SLIMLINE LED CEILING OYSTER LIGHT

FEATURES

- Simple, round and slimline design LED oyster light
- Surface mounted LED ceiling light
- Dimmable with trailing edge dimmer
- Double insulation
- Fitted with tricolour that allows you to control the colour temperature of the light from 3000K, 4000K or 5000K
- High efficiency SMD LED technology for superior light output
- IP54 weatherproof
- Ideal for residential or commercial applications

*Martec dimmable ceiling oysters are compatible with Martec MTD350VAR & MTD350VAP dimmers (sold separately).

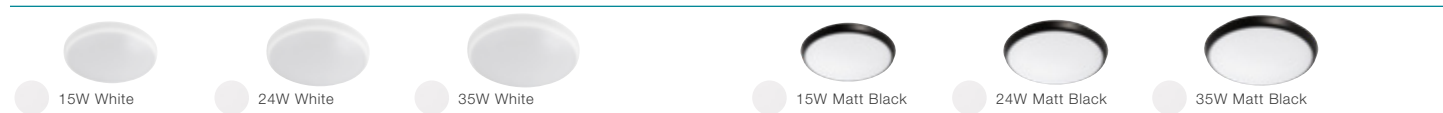


INSTALLATION

| | |
|---------------------|------------------------------|
| Installation | By licensed electrician only |
| Warranty | 2 year replacement warranty |

*For further information regarding warranty terms and conditions, please refer to enclosed warranty statement. Warranty is void unless installed by a licensed electrician.

AVAILABLE COLOURS



| Model | Colour | Barcode | Model | Colour | Barcode |
|-------------|-----------|-----------------|-------------|----------------|-----------------|
| MLCO34515WD | 15W White | 9 312375 906377 | MLCO34515MD | 15W Matt Black | 9 312375 906421 |
| MLCO34524WD | 24W White | 9 312375 906384 | MLCO34524MD | 24W Matt Black | 9 312375 906414 |
| MLCO34535WD | 35W White | 9 312375 906391 | MLCO34535MD | 35W Matt Black | 9 312375 906407 |

SPECIFICATIONS

| | |
|----------------------|---|
| Model name | Conrad |
| Model numbers | MLCO34515WD/MLCO34515MD 15W MLCO34524WD/MLCO34524MD 24W MLCO34535WD/MLCO34535MD 35W |
| Power wattage | 15W, 24W, 35W |
| Input voltage | 220-240V~50Hz |
| Material | Plastic with aluminium body + PC Diffuser |
| LED type | SMD |
| CRI | ≥80 |
| Beam Angle | 120° |
| Tricolour | 3000K, 4000K, 5000K |
| Lumens | 15W: ≥1500lm 24W: ≥2300lm 35W: ≥3300lm |
| Product size | 15W: Dia 200mm x H48mm 24W: Dia 300mm x H40mm 35W: Dia 400mm x H50mm |
| Dimmable | Yes, with trailing edge dimmer |
| IP rating | IP54 |

*Use with trailing edge dimmer

SHIPPING

| MLCO34515WD/MLCO34515MD | |
|-------------------------|--------------------------|
| Packaging size | L580mm x W430mm x H230mm |
| Carton quantity | 20 pcs |
| Gross weight | 12.00kg |
| MLCO34524WD/MLCO34524MD | |
| Packaging size | L630mm x W325mm x H330 |
| Carton quantity | 12 pcs |
| Gross weight | 13.00kg |
| MLCO34535WD/MLCO34535MD | |
| Packaging size | L500mm x W425mm x H430mm |
| Carton quantity | 8 pcs |
| Gross weight | 14.00kg |