



Replacement
Warranty*

20W DIY TRICOLOUR LED SECURITY FLOOD LIGHT WITH PIR SENSOR

The Guard Tricolour LED security flood light with PIR Sensor is a durable outdoor light with a modern appearance. This security flood light features the latest inbuilt PIR sensor control technology and is constructed from aluminium with a tempered glass front cover.



DIY FITTED WITH 600MM FLEX AND PLUG



Tricolour LED



Weather Resistant Rating



Brightness



Beam Angle



CRI



LED Lamp Life



Tilt Up/Down Rotation



DIY Installation



Up to 12m Detection Distance



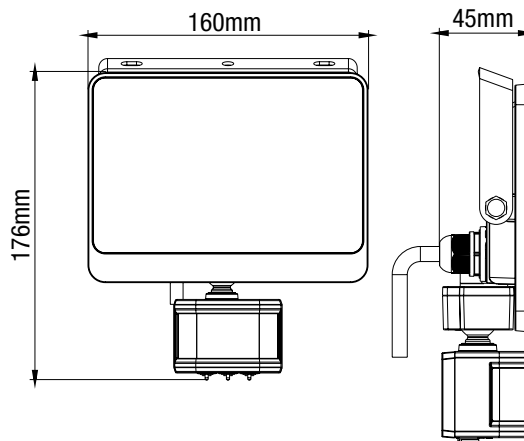
180° Detection Angle

- DIY installation, no electrician required
- Modern black design
- Made from aluminium and tempered glass
- 20W Tricolour LED light
- Up to 12m detection distance
- 180° sensor detection angle
- Adjustable light duration time

INCLUDES

600mm flex and plug

DIMENSIONS



Aust/NZ Approval No. SAA193226

20W DIY TRICOLOUR LED SECURITY FLOOD LIGHT WITH PIR SENSOR

FEATURES

- Modern design
- DIY pre-wired 600mm cable and 3 pin mains plug
- Made from premium grade aluminium and tempered glass
- Durable black powder coated finish
- Stainless steel hanging bracket
- PIR built in sensor control with adjustable detection sensitivity
- Adjustable time delay
- Up to 12m detection distance
- 20W Tricolour LED light
- Inbuilt Tricolour waterproof switch included
- Fitted with high efficiency SMD-LED chips
- IP54 weather resistant
- High performance aluminium reflector



SPECIFICATIONS

Model name	Guard
Model number	MLXG34520MS
Power (wattage)	20W
Voltage	220v – 240v
Frequency	50/60Hz
Switchable Tricolour Lumens	3000k-1400lm 4000k-1600lm 5000k-1600lm
Colour temperature	3000k / 4000k / 5000k
LED light beam angle	120°
Product size (mm)	W160 x H176 x D45
Material	Aluminium and tempered glass
CRI	>80
Approximate lamp life	25,000hrs
Weather resistance rating	IP54
Sensor type	PIR passive infrared sensor
Sensor detection angle	180°
Duration time	10±5s to 4±1min adjustable
Detection distance max	12m
Lux control level	From day to night adjustable

INSTALLATION

Installation	DIY installation fitted with plug and lead
Warranty	2 year replacement warranty*

* For further information regarding warranty terms and conditions, please refer to enclosed warranty statement. Warranty is void unless installed by a licensed electrician.


SHIPPING

Packaging size	L165mm x H187mm x D68mm
Gross weight	85g
Carton qty	4

AVAILABLE IN BLACK



Black

Model	Colour	Barcode
MLXG34520MS	Black	 9312375506430