

Border Lite

Cat. No. BL

Cat. No. BL/R

Cat. No. BLG9

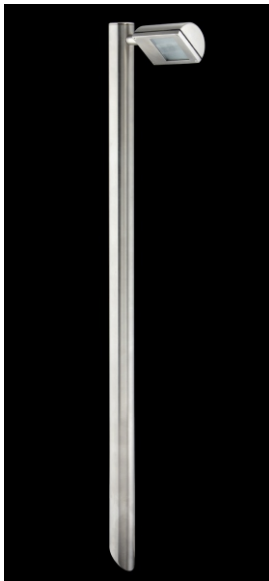
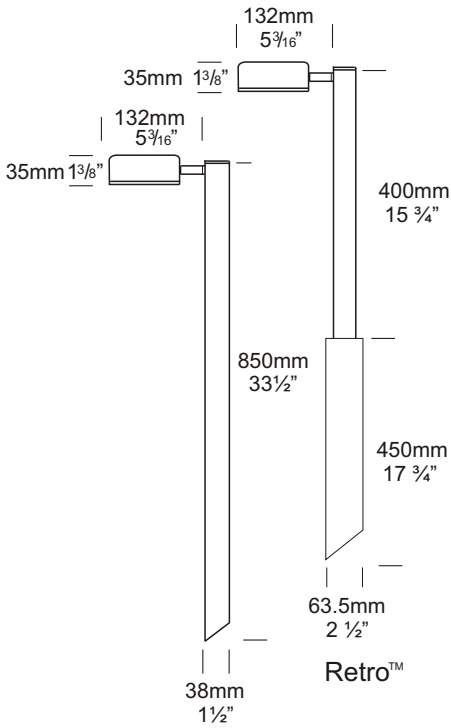


The Border Lite is ideal for path lighting giving a wide spread of light with no upward projection. This luminaire has a fully adjustable arm allowing 360 degree rotation and 0 - 90 degree elevation.

The Retro™, which is a mains option, avoids the need to bury a transformer. The 110/240-12 volt electronic transformer is built into the pole and is a double insulated safety isolating transformer, this changes the luminaire to an IP56 rating.

This luminaire is equipped with Hunza's Anti-Syphon™ (not Retro luminaires) system which has been designed to counter the problem of wicking (siphoning) of water through the supply cable into the lamp housing, causing water to condense and dramatically shorten the life of the lamp, lamp holder and luminaire.

A G9 version of this luminaire is also available for line voltage lamps.



Ordering Information

Luminaire Type

BL - Border Lite

Material/Finish

BK - Black
 BZ - Bronze
 GN - Green
 STAR - Silver Star
 WH - White
 WB - Birch
 DG - Dark Grey
 OG - Olive Green
 RG - Beige
 PR - Primrose
 SBZ - Solid Bronze
 SS - 316 Stainless Steel

Accessories

CJK150 - Cable Joint Kit
 LENSBLC - Clear Lens
 /R - Retro™ Transformer
 110/240-12 volt
 G9 - G9 option

For LED options, refer to page
 10.4.1 (G4 JC LED),
 10.4.6 (Wafer LED) or
<http://hunza.co.nz/l.html>

Ordering Example: BL BZ - Border Lite in Bronze
 BL/R BK - Border Lite Retro™ Black
 BLTG9 BK - Border Lite Twin G9 in Black
 (Accessories ordered separately)

HUNZA™ PURE
 OUTDOOR
 LIGHTING

HUNZA FACTORY
 130 Felton Mathew Ave
 Glen Innes
 Auckland 1072
 New Zealand

Ph: 64-9-528 9471
 Fax: 64-9-528 9361
hunza@hunza.co.nz
www.hunza.co.nz

INTERNATIONAL CONTACTS:
www.hunza.co.nz/contacts.php

Specifications may change without notice.
 Manufactured in New Zealand.
 © 2011 Hunza Holdings Ltd.

Ver 1.4

Luminaire Construction

Head:

Cast from either 316 Stainless Steel, LG2 Bronze or virgin high corrosion resistant CC401 low copper aluminium alloy, with chromate substrate and high UV resistant polyester powder coat.

Colours Black, Bronze, Green, Silver Star, White, Birch, Dark Green, Olive Green, Beige, Primrose.

Poles: Aluminium, Copper, 316 Stainless Steel 38mm (1½") x 850mm (33½") tube.

Retro™: Pole - 38mm (1½") x 410mm (16") tube.

Transformer Pole: 63.5mm (2½") x 440mm (17½").

Mounting

Pole 850mm (33½") directly mounted into the earth. Retro™ - set in concrete.

Features

Cable:

Water resistant rubber with HUNZA™ Anti-Syphon™ water barrier system.

Lens:

3mm Frosted tempered shatter resistant glass with a Lifetime Warranty.

Gaskets:

Silicone, 150°C (302°F).

Lamp Holder:

G4 - 350°C (662°F) ceramic multi contact lamp holder with 250°C (480°F) teflon cables.

G9 - 280°C (536°F) ceramic lamp holder with 250°C (480°F) teflon cables.

Accessories:

Cable Joint Kit (Cat. CJK150). Not approved for USA /Canada.

Clear Lens (Cat. LENSBLC).

Retro™ transformer 110/240-12 volt (Cat. /R) IP56.

G9 Option (Cat. G9).

Note: The Hunza Super Spike is not compatible with the 38mm pole.

Swivels: Aluminium and Solid Bronze luminaires - 360° rotation and 0 - 90° elevation, solid brass with anti rust spring.

Stainless Steel luminaires - 360° rotation and 0 - 90° elevation, full stainless steel construction.

Standards

IP56/IP66  UL1838

Luminaire Weight

12 volt:

Alum .800kg (1lb 8oz)

SS 1.6kg (3lb 8oz)

BRZ 1.7kg (3lb 12oz)

Retro™:

Alum 2.00kg (4lb 6oz)

SS 3.15kg (6lb 15oz)

BRZ 3.4kg (7lb 8oz)

Power Supply

HUNZA™ Inground or Wall Mount Transformer: not included.

RETRO™ IP56

HUNZA™ 110/240-12 volt ac potted electronic transformer is built into the pole. Dimmable with a suitable Leadingedge dimmer. *Note see page 9.3 for details.

USA and Canada:

HUNZA™ Wall Mount Transformer: not included.

Luminaire: supplied with

G4 Bi - Pin 20 watt lamp max.

G9 - 25 watt lamp max.

LED - Refer to previous page.

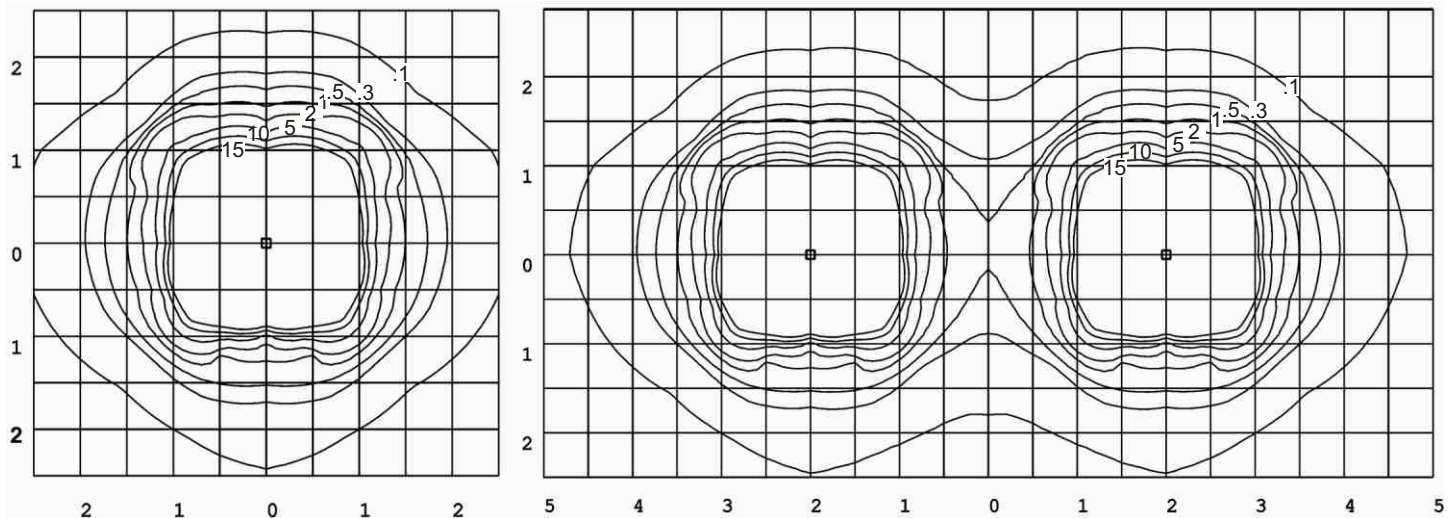
USA and Canada:

G4 Bi - Pin 20 watt lamp max.

G9 - 25 watt lamp max.

LED - Refer to previous page.

Border Lite G4 20 watt lamp lens height 600mm (24")



HUNZA™ PURE
OUTDOOR
LIGHTING

HUNZA FACTORY
130 Felton Mathew Ave
Glen Innes
Auckland 1072
New Zealand

Ph: 64-9-528 9471
Fax: 64-9-528 9361
hunza@hunza.co.nz
www.hunza.co.nz

INTERNATIONAL CONTACTS:
www.hunza.co.nz/contacts.php

Specifications may change without notice.
Manufactured in New Zealand.
© 2011 Hunza Holdings Ltd.

Ver 1.4