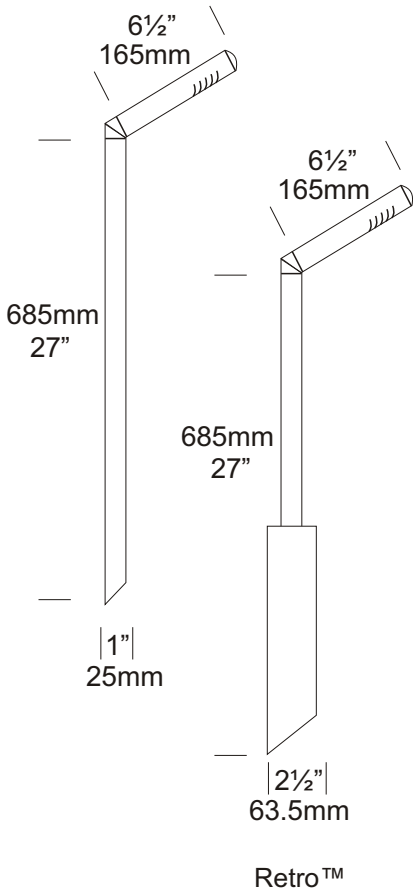


# Walkway Lite

Cat. No. WW

Cat. No. WW/R



The Walkway Lite has a subtle, unobtrusive appearance that allows it to blend into a landscape while providing a soft, effective pathway illumination without glare.

Constructed from solid copper with a solid brass elbow and stainless steel grub screws.

The Retro™, which is a mains option, avoids the need to bury a transformer. The 110/240-12 volt electronic transformer is built into the pole and is a double insulated safety isolating transformer. The transformer has an IP56 rating.

## Ordering Information

### Luminaire Type

WW - Walkway Lite

### Material

Copper only

### Accessories

CJK150 - Cable Joint Kit  
 SSP/G - Hunza™ Super Spike (not Retro™)  
 /R - Retro™ Transformer 110/240-12 volt

For **LED** options, refer to page 10.4.1 (G4 JC LED), 10.4.6 (Wafer LED) or <http://hunza.co.nz/l.html>

Ordering Example WW - Walkway Lite in Copper

CJK150 - Cable Joint Kit  
 (Accessories ordered separately)

**HUNZA**™ PURE OUTDOOR LIGHTING

**HUNZA FACTORY**  
 130 Felton Mathew Ave  
 Glen Innes  
 Auckland 1072  
 New Zealand

Ph: 64-9-528 9471  
 Fax: 64-9-528 9361  
[hunza@hunza.co.nz](mailto:hunza@hunza.co.nz)  
[www.hunza.co.nz](http://www.hunza.co.nz)

**INTERNATIONAL CONTACTS:**  
[www.hunza.co.nz/contacts.php](http://www.hunza.co.nz/contacts.php)

Specifications may change without notice.  
 Manufactured in New Zealand.  
 © 2011 Hunza Holdings Ltd.

Ver 1.4

### Luminaire Construction

CNC machined from copper only:  
 Pole - copper 25.4mm (1") x 850mm (33½") tube.  
 End cap - solid copper 25.4mm (1") rod.  
 Elbow - Investment cast in brass.  
 Retro™:  
 Pole - copper 25.4mm (1") x 410mm (16") tube.  
 Elbow - Investment cast in brass.  
 Transformer Pole 63.5mm (2½") x 440mm (17½").

### Mounting

Pole 850mm (33½") directly mounted into the earth or for extra stability in sand or loose ground use a Hunza™ Super Spike. Retro set in concrete.

### Features

**Lens:**  
 22mm (¾") frosted glass tube.

**Gaskets:**  
 Nytrol 150° (302°f)

**Lamp Holder:**  
 G4 - 350°c (662°f) ceramic multi contact lamp holder with 250°c (480°f) teflon cables.

**Accessories:**  
 Cable Joint Kit (Cat. CJK150) Not approved for USA /Canada).  
 Hunza™ Super Spike, not for Retro™ (Cat SSP/G).  
 Retro™ transformer 110/240-12 volt (Cat. /R) IP56.

### Standards

IP44  UL1838

### Luminaire Weight

12 volt 1.10kg (2lb 6oz)  
 Retro™ 2.38kg (5lb 3oz)

### Power Supply

HUNZA™ Inground or Wall Mount Transformer: not included.

### RETRO™

HUNZA™ 110/240-12 volt ac silicone encapsulated electronic transformer built into the pole, IP56. Dimmable with a suitable dimmer.

### USA and Canada:

HUNZA™ Wall Mount Transformer: not included.

### Luminaire: supplied with

G4 Bi-Pin 5, 10, 20 watt lamp max.  
 Retro™ G4 Bi-Pin 10, 20 watt lamp max.

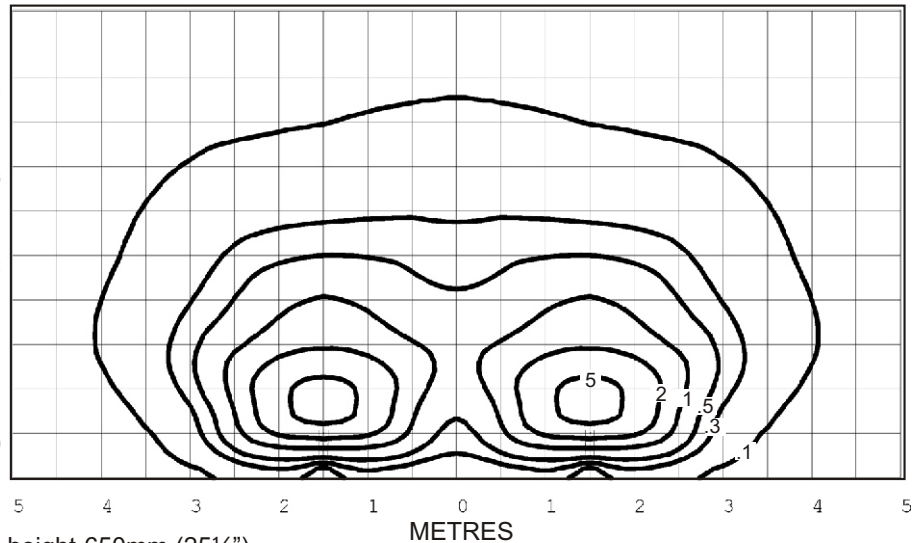
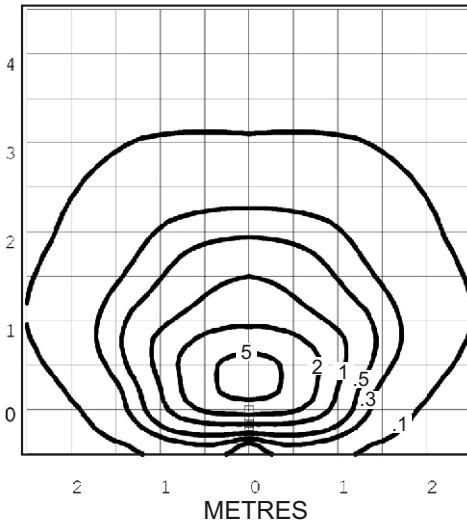
**LED** - Refer to previous page.

### USA and Canada:

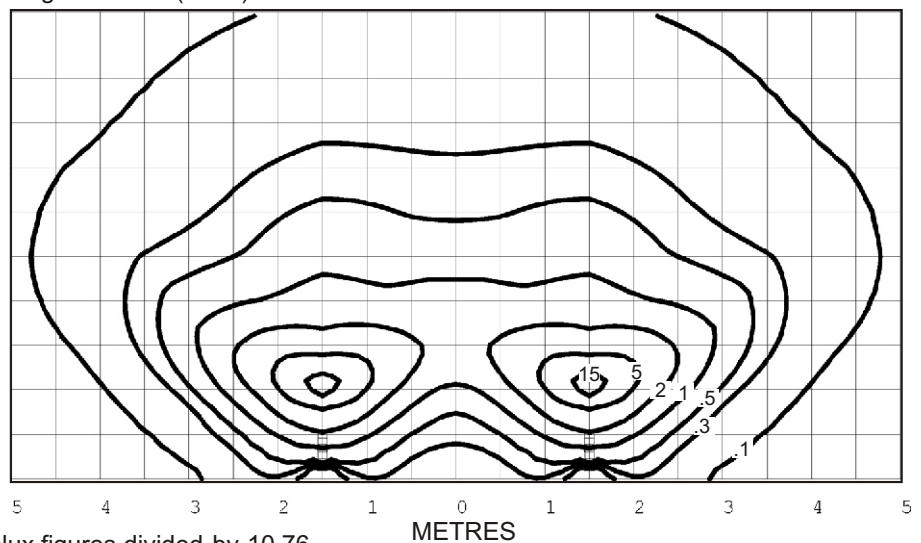
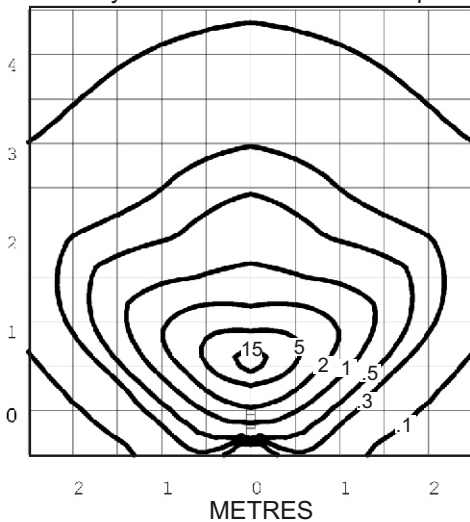
G4 Bi-Pin 5, 10 watt lamp max.

**LED** - Refer to previous page.

Walkway Lite G4 10 watt Bi-Pin lamp - Lens height 650mm (25½")



Walkway Lite G4 20 watt Bi-Pin lamp - Lens height 650mm (25½")



Isolux Lumens Plot - Footcandles = Isolux figures divided by 10.76

**HUNZA™** PURE OUTDOOR LIGHTING

**HUNZA FACTORY**  
 130 Felton Mathew Ave  
 Glen Innes  
 Auckland 1072  
 New Zealand

Ph: 64-9-528 9471  
 Fax: 64-9-528 9361  
 hunza@hunza.co.nz  
 www.hunza.co.nz

**INTERNATIONAL CONTACTS:**  
[www.hunza.co.nz/contacts.php](http://www.hunza.co.nz/contacts.php)

Specifications may change without notice.  
 Manufactured in New Zealand.  
 © 2011 Hunza Holdings Ltd.

Ver 1.4