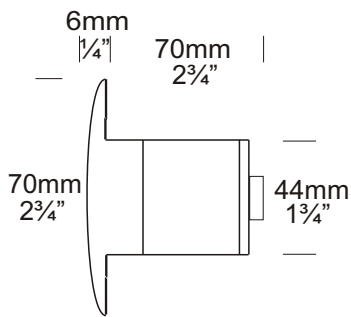


Euro Step Lite

Cat. No. ESL



The Euro Step Lite is an extra compact luminaire designed for step lighting applications where the fixture needs to be very unobtrusive or concealed. Hunza Euro fixtures use miniature MR11 lamps to achieve a contemporary, discreet appearance but are still able to provide excellent illumination. The Euro Step Lite is designed for recessed mounting into masonry, stone or wood and when the appropriate Hunza™ mounting canister is specified there are no visible mounting screws.



Ordering Information

Luminaire Type

ESL - Euro Step Lite

Material

COP - Copper

SS - 316 Stainless Steel

Accessories

CJK150 - Cable Joint Kit

Elcan - Euro Lite Canister

LENSEURF - Frost Lens

For **LED** options, refer to page
10.4.5 (2 watt MR11) or
<http://hunza.co.nz/l.html>



Ordering Example: ESL SS - Euro Step Lite in 316 Stainless Steel.

(Accessories ordered separately)

HUNZA™ PURE
OUTDOOR
LIGHTING

HUNZA FACTORY
130 Felton Mathew Ave
Glen Innes
Auckland 1072
New Zealand

Ph: 64-9-528 9471
Fax: 64-9-528 9361
hunza@hunza.co.nz
www.hunza.co.nz

INTERNATIONAL CONTACTS:
www.hunza.co.nz/contacts.php

Specifications may change without notice.
Manufactured in New Zealand.
© 2011 Hunza Holdings Ltd.

Ver 1.4

Luminaire Construction

CNC machined from:

Body:

45mm Copper (1¾") rod.

Flange:

70mm (3½") solid copper rod.

Body:

45mm (1¾") 316 Stainless Steel rod.

Flange:

70mm (3½") solid 316 Stainless Steel rod.

Mounting

The Euro Step Lite is fixed in place using a mounting canister. There are no mounting screws in the flange to spoil aesthetics of the luminaire.

Features

Lens:

6mm (¼") clear flush fit shatter resistant glass with Hex Cell Louvre for glare control.

Lifetime Warranty.

Gaskets:

Silicone, iron impregnated 220°C (428°F).

Lamp Holder:

GU4 - 350°C (662°F) ceramic multi contact lamp holder with 250°C (480°F) teflon cables.

Accessories:

Cable Joint Kit (Cat. CJK150).
Not approved for USA /Canada.
Euro Lite Canister (Cat. Elcan).
Frosted Lens (Cat. LENSEURF).

Standards

IP66



Luminaire Weight

Cop .480kg (1lb)

SS .415kg (14oz)

Power Supply

HUNZA™ Inground or Wall Mount Transformer: not included.

USA and Canada:

HUNZA™ Wall Mount Transformer: not included.

Lamp Type

Halogen

MR11 GU4 20 watt lamp max.

LED - Refer to previous page.

USA and Canada:

MR11 GU4 10 watt lamp max.

LED - Refer to previous page.

