



Wicker Bowl



Scavo Bowl



Frosted Opal Bowl



Swirled Marble Bowl



Bowl Light KitsTM

Well suited to traditional Hunter ceiling fans, the bowl light collection features glass options to suit any décor. Included with finial kits to suit various fan colours, as well as a Hunter pull chain. 2 x E27 lampholders enable the Bowl light kits to be used with energy efficient CFL light globes, or energy saving halogen options.

24120: Wicker Bowl Weathered Bronze with Weathered Bronze finial & cap

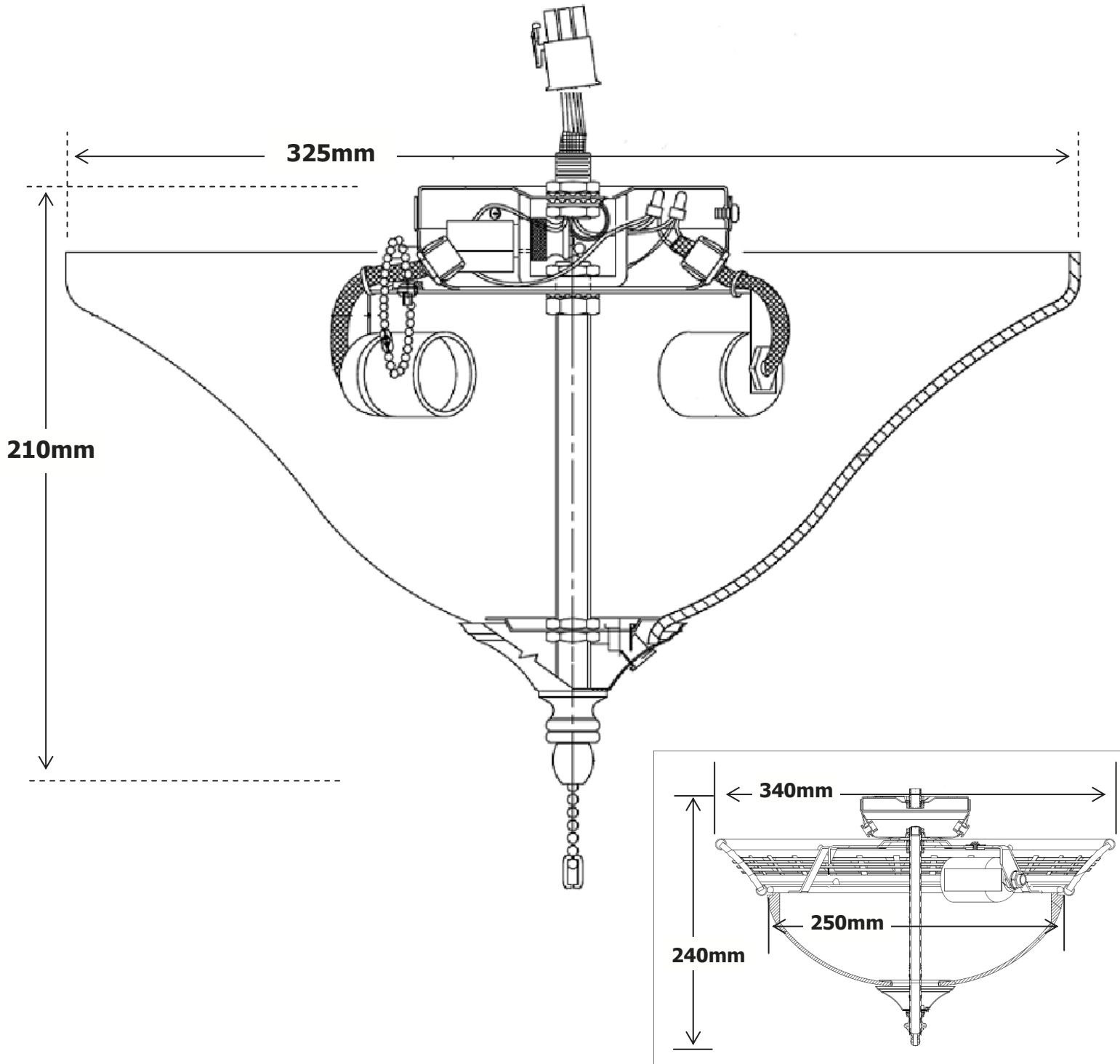
24122: Scavo Bowl with Br Nick, Satin Brass, Bright Brass & White finial & cap.

24125: Amber Bowl with New Bronze, Amber Bronze, Weathered Bronze & Antique Brass finial & cap.

24126: Frosted Opal Bowl with Br Nick, Bright Brass, Antique Brass, White & New Bronze finial & cap.

24127: Swirled Marble Bowl with Br Nick, Bright Brass, Antique Brass, White & New Bronze finial & cap.

Bowl Light Kits™



When fitted to a Hunter ceiling fan, this light kit will add 210mm to the overall height dimensions of the ceiling fan. (NB: The Wicker Bowl will add 240mm)

This fan light connects to the ceiling fan using the two keyhole slots on top of the light, which connect to corresponding screw holes in the ceiling fan, ensuring a solid connection designed to minimise wobble of the light kit. NB: The threaded rod merely acts as a cable carrier.