



**Antique Brass**



**Bright Brass**



**White**



**Brushed Nickel**



**New Bronze**



## 3 Light Flush Kit™

Hunter 3 light flush fan light kit is fitted with glass shades, and a Hunter pull chain to suit most Hunter ceiling fans. Suitable for 3 x E27 base compact globes, in either energy saving compact fluorescent, or energy saving halogen globe options.

**24310:** 3 Light Flush Mount Antique Brass with Clear Glass

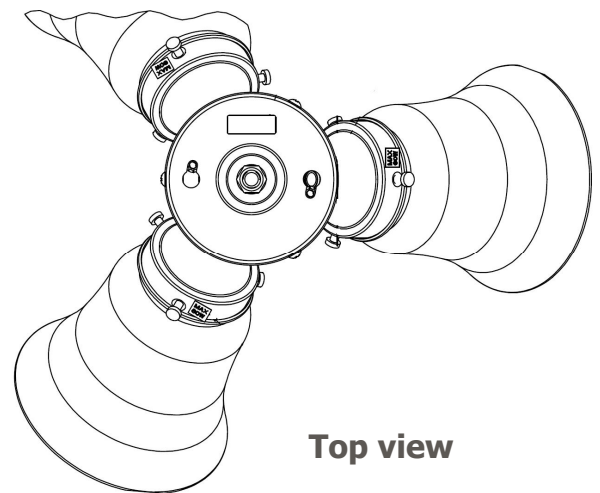
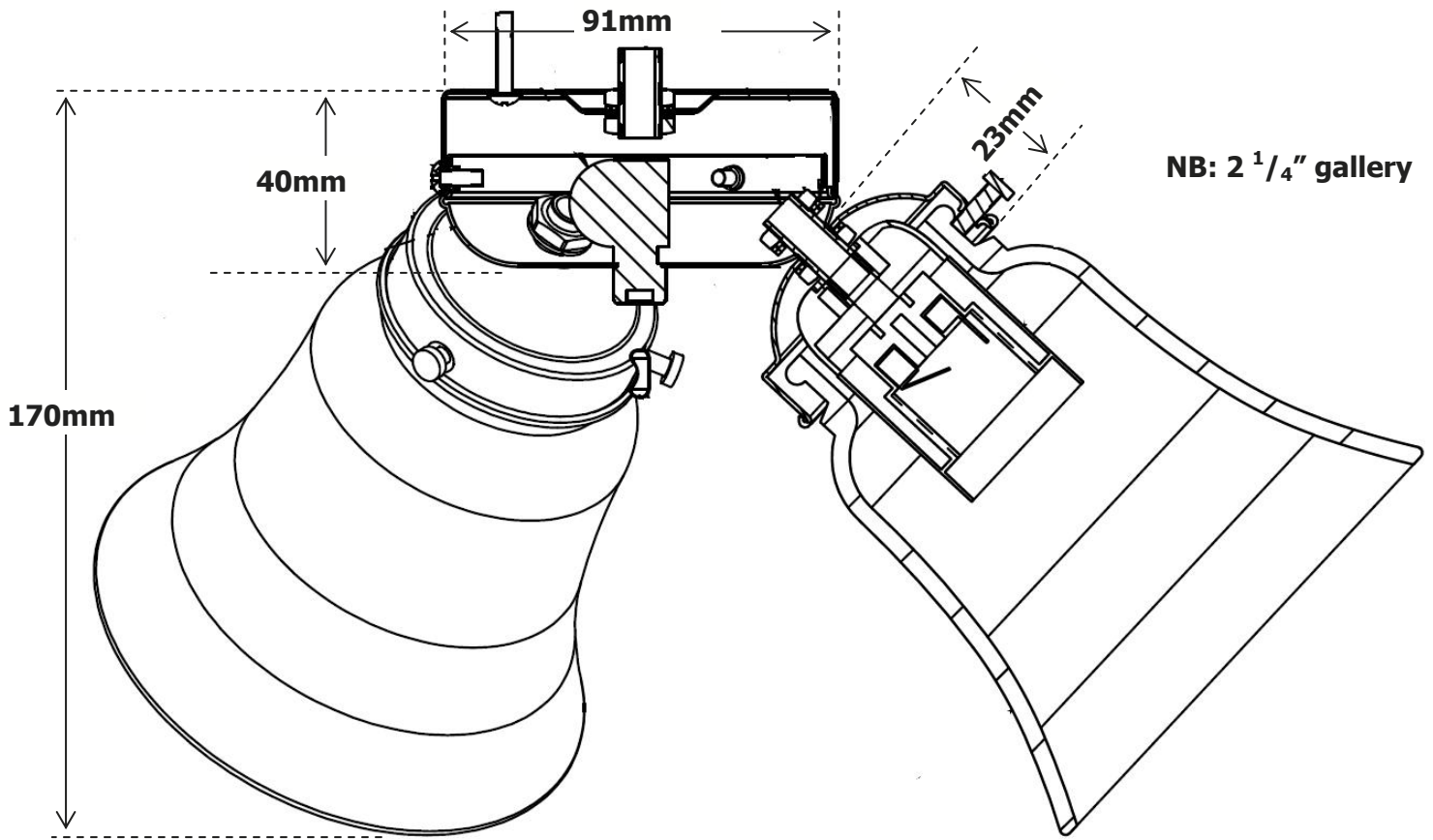
**24312:** 3 Light Flush Mount Bright Brass with Clear Glass

**24316:** 3 Light Flush Mount White with Frosted Glass

**24318:** 3 Light Flush Mount Brushed Nickel with Frosted Glass

**24319:** 3 Light Flush Mount New Bronze with Frosted Glass

# 3 Light Flush Kit™



When fitted to a Hunter ceiling fan, this light kit will add 170mm to the overall height dimensions of the ceiling fan.

This fan light connects to the ceiling fan using the two keyhole slots on top of the light, which connect to corresponding screw holes in the ceiling fan, ensuring a solid connection designed to minimise wobble of the light kit. NB: The threaded rod merely acts as a cable carrier.