



Compatible with  
Tri-Colour 9in1  
3w, 5w, 7w  
12v or 24v LED Globe

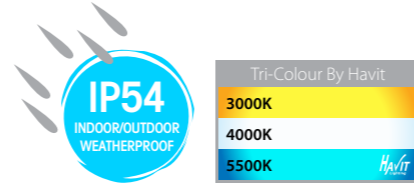
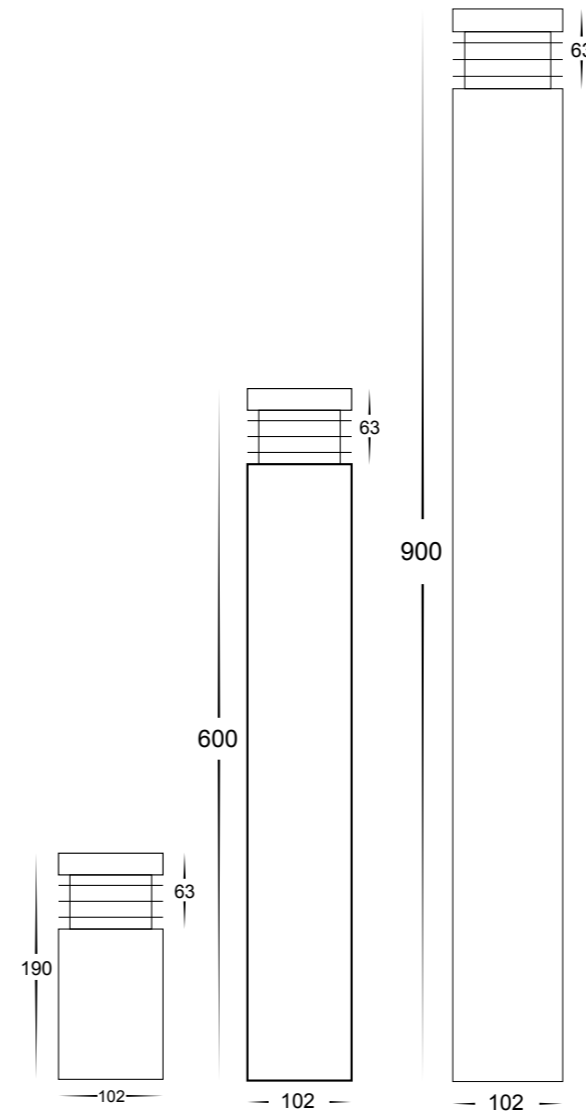


IMAGE	PART NUMBER	COLOUR TEMP	LUMENS	INPUT	INCLUDED LED
	<b>HV1605T-SS316-240V</b>	3000K 4000K 5500K	700lm 720lm 740lm	240v	<b>Tri-Colour</b> 9w E27 LED
	<b>HV1605T-SS316-12V</b>	3000K 4000K 5500K	270lm 285lm 300lm	12v DC	<b>Tri-Colour</b> 5w MR16 LED
IMAGE	PART NUMBER	COLOUR TEMP	LUMENS	INPUT	INCLUDED LED
	<b>HV1606T-SS316-240V</b>	3000K 4000K 5500K	700lm 720lm 740lm	240v	<b>Tri-Colour</b> 9w E27 LED
	<b>HV1606T-SS316-12V</b>	3000K 4000K 5500K	270lm 285lm 300lm	12v DC	<b>Tri-Colour</b> 5w MR16 LED
IMAGE	PART NUMBER	COLOUR TEMP	LUMENS	INPUT	INCLUDED LED
	<b>HV1608T-SS316-240V</b>	3000K 4000K 5500K	700lm 720lm 740lm	240v	<b>Tri-Colour</b> 9w E27 LED
	<b>HV1608T-SS316-12V</b>	3000K 4000K 5500K	270lm 285lm 300lm	12v DC	<b>Tri-Colour</b> 5w MR16 LED
OPTIONAL ACCESSORIES					
	<b>HV1607</b>	<ul style="list-style-type: none"> <li>Bollard spike</li> <li>High grade stainless steel</li> <li>400mm Length</li> <li>Includes stainless steel base plate</li> </ul>			

## Mini & Maxi 316 Stainless Steel

- Stainless Steel 316 Marine Grade
- Opal diffuser
- 190mm, 600mm & 900mm height
- IP Rating: IP54



Mini  
HV1605T-SS316

Maxi 600  
HV1606T-SS316

Maxi 900  
HV1608T-SS316

All low voltage products that specify an input of 12v or 24v DC must be used with a suitable LED driver, refer to pages 267 - 274  
Lumen output measured at source. All globes supplied with fittings are non dimmable. If you require 240v dimmable globes refer to page 336

All low voltage products that specify an input of 12v or 24v DC must be used with a suitable LED driver, refer to pages 267 - 274  
Lumen output measured at source. All globes supplied with fittings are non dimmable. If you require 240v dimmable globes refer to page 336