



Compatible with
Tri-Colour 9in1
3w, 5w, 7w
12v or 24v LED Globe

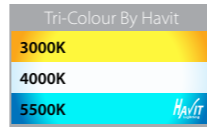
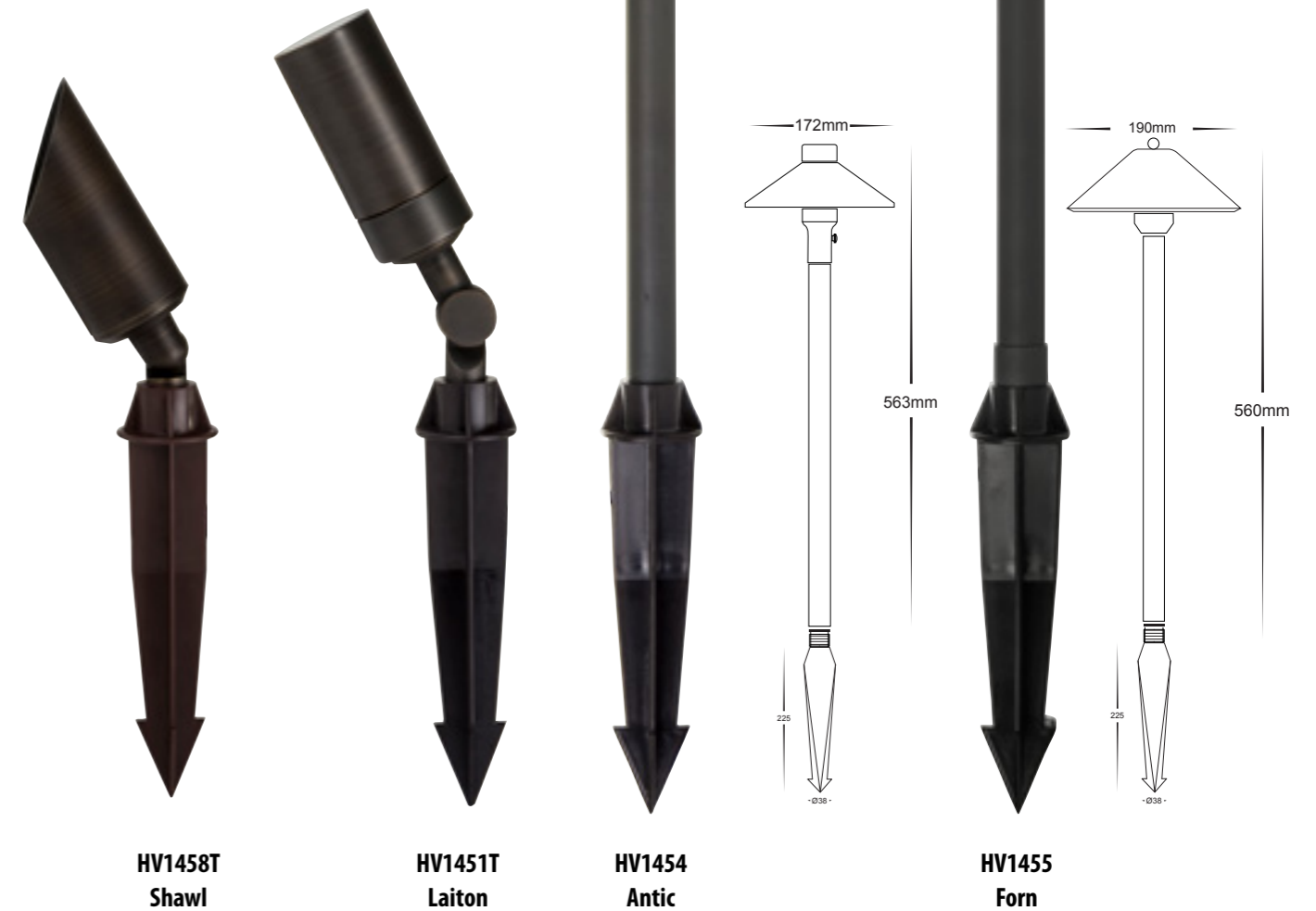
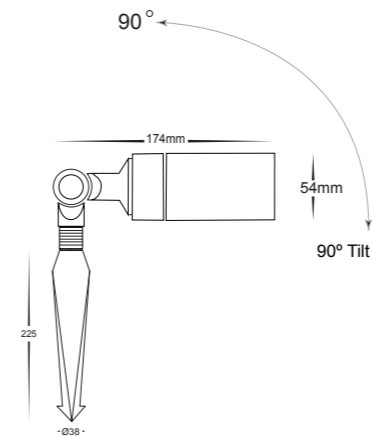
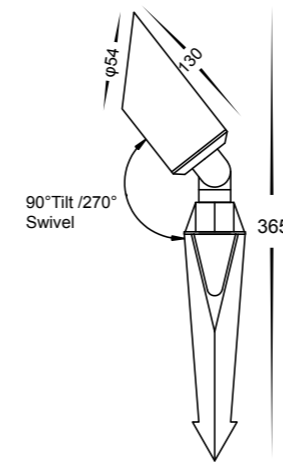


IMAGE	PART NUMBER	COLOUR TEMP	LUMENS	INPUT	INCLUDED LED
	HV1458T	3000K 4000K 5500K	270lm 285lm 300lm	12v DC	Tri-Colour 5w MR16 LED
IMAGE	PART NUMBER	COLOUR TEMP	LUMENS	INPUT	INCLUDED LED
	HV1451T	3000K 4000K 5500K	270lm 285lm 300lm	12v DC	Tri-Colour 5w MR16 LED
IMAGE	PART NUMBER	COLOUR TEMP	LUMENS	INPUT	INCLUDED LED
	HV1454C	5500K	260lm	12v DC	3.2w G4 SMD Bi pin
	HV1454W	3000k	240lm		
IMAGE	PART NUMBER	COLOUR TEMP	LUMENS	INPUT	INCLUDED LED
	HV1455C	5500K	260lm	12v DC	3.2w G4 SMD Bi pin
	HV1455W	3000k	240lm		

Antique Brass

- Garden lights with spike
- Solid Brass With Antique Brass Finish
- Spike length: 225mm
- 1m reinforced cable
- IP Rating: IP54



All low voltage products that specify an input of 12v or 24v DC must be used with a suitable LED driver, refer to pages 267 - 274
Lumen output measured at source. All globes supplied with fittings are non dimmable. If you require 240v dimmable globes refer to page 336

All low voltage products that specify an input of 12v or 24v DC must be used with a suitable LED driver, refer to pages 267 - 274
Lumen output measured at source. All globes supplied with fittings are non dimmable. If you require 240v dimmable globes refer to page 336