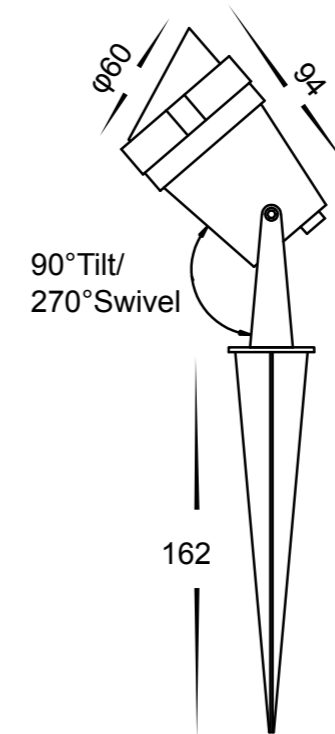




IMAGE	PART NUMBER	COLOUR TEMP	LUMENS	INPUT	INCLUDED LED
	HV1428C	5500K	320lm	12v DC	Built in 3w COB
IMAGE	PART NUMBER	COLOUR TEMP	LUMENS	INPUT	INCLUDED LED
	HV1428N	4000k	300lm	12v DC	Built in 3w COB
IMAGE	PART NUMBER	COLOUR TEMP	LUMENS	INPUT	INCLUDED LED
	HV1428W	3000K	275lm	12v DC	Built in 3w COB

Spitze Aluminium Black

- Single adjustable spike spotlight
- Aluminium Poly Powder Coated Black
- Spike length: 162mm
- 1m reinforced cable
- IP Rating: IP65



**HV1428C
HV1428N
HV1428W
Single Adjustable**

All low voltage products that specify an input of 12v or 24v DC must be used with a suitable LED driver, refer to pages 267 - 274
Lumen output measured at source. All globes supplied with fittings are non dimmable. If you require 240v dimmable globes refer to page 336

All low voltage products that specify an input of 12v or 24v DC must be used with a suitable LED driver, refer to pages 267 - 274
Lumen output measured at source. All globes supplied with fittings are non dimmable. If you require 240v dimmable globes refer to page 336