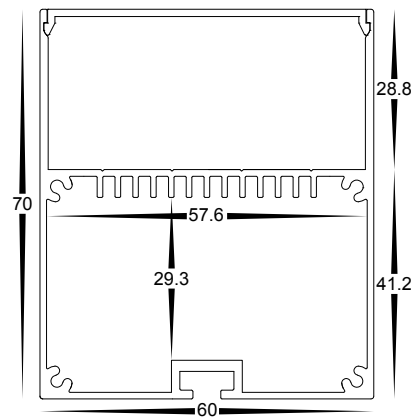


Square LED Profile

- Deep large square profile
- UV Stabilised PC diffuser

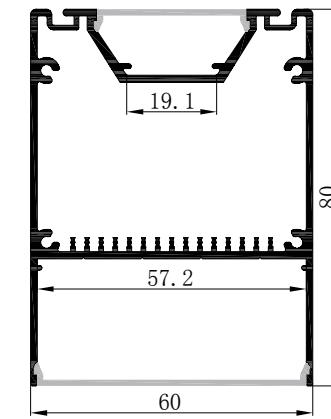


PART NUMBER	DESCRIPTION	IP RATING	MAX LENGTH
HV9693-6070	60mm x 70mm Deep large square profile with UV Stabilised PC diffuser	IP20	3 metres
HV9693-6070-3M	3m Length includes aluminium, diffuser + 6x end caps	IP20	3 metres
HV9693-6070-BLK	60mm x 70mm Black deep large square profile with UV Stabilised PC diffuser	IP20	3 metres
HV9693-6070-BLK-3M	3m Length includes aluminium, diffuser + 6x end caps	IP20	3 metres
HV9693-6070-WHT	60mm x 70mm White deep large square profile with UV Stabilised PC diffuser	IP20	3 metres
HV9693-6070-WHT-3M	3m Length includes aluminium, diffuser + 6x end caps	IP20	3 metres



Square LED Profile

- Large Up/Down square profile
- UV Stabilised PC diffuser



PART NUMBER	DESCRIPTION	IP RATING	MAX LENGTH
HV9693-6080	60mm x 80mm up/down profile with UV Stabilised PC diffuser	IP20	3 metres
HV9693-6080-3M	3m Length includes aluminium, diffuser + 6x end caps	IP20	3 metres
HV9693-6080-BLK	60mm x 80mm Black up/down profile with UV Stabilised PC diffuser	IP20	3 metres
HV9693-6080-BLK-3M	3m Length includes aluminium, diffuser + 6x end caps	IP20	3 metres
HV9693-6080-WHT	60mm x 80mm White up/down profile with UV Stabilised PC diffuser	IP20	3 metres
HV9693-6080-WHT-3M	3m Length includes aluminium, diffuser + 6x end caps	IP20	3 metres

All low voltage products that specify an input of 12v or 24v DC must be used with a suitable LED driver, refer to pages 267 - 274
Lumen output measured at source. All globes supplied with fittings are non dimmable. If you require 240v dimmable globes refer to page 336

All low voltage products that specify an input of 12v or 24v DC must be used with a suitable LED driver, refer to pages 267 - 274
Lumen output measured at source. All globes supplied with fittings are non dimmable. If you require 240v dimmable globes refer to page 336