

Mini Louvred LED Bollard Light



PRODUCT SPECIFICATIONS:

Name: Mini Louvred

Material: 316 stainless steel

Colour: Poly powder coated black or Stainless steel

IP Rating: IP54

Lamp Base: E27 or MR16

CRI: ≥80

Wiring: Parallel

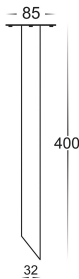
Dimmable: No

Warranty: 2 years replacement**

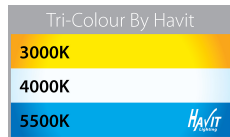
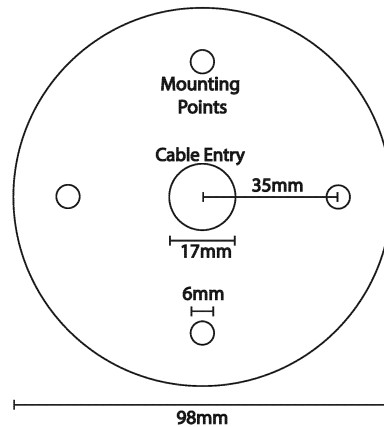


MR16 Model Compatible with Tri-Colour 9in1
3w, 5w, 7w
12v or 24v LED Globe

Optional Spike HV1607 (not included)



Mounting Base



| PART NUMBER | COLOUR | INPUT VOLTAGE | COLOUR TEMP | LUMENS | INCLUDED GLOBES |
|--------------------|-----------------|---------------|-------------|--------|------------------------|
| HV1615T-BLK-240V | Black | 240v | 3000k | 700lm | 9w E27 TRI Colour LED |
| HV1615T-SS316-240V | Stainless Steel | 12v DC | 4000k | 720lm | |
| | | | 5500k | 740lm | |
| HV1615T-BLK-12V | Black | 240v | 3000k | 250lm | 5w MR16 TRI Colour LED |
| | | | 4000k | 275lm | |
| HV1615T-SS316-12V | Stainless Steel | 12v DC | 5500k | 300lm | |

12v models must be used with suitable 12v DC LED driver

* Lumen output measured at source

** See Warranty Terms and Conditions for more information

For more information contact Havit Lighting

ADDRESS:
143 Beauchamp Road
Matraville NSW 2036
Australia

Tel: 02 9381 8300
Fax: 02 9666 8881
Email: sales@hav.it.com.au
web: www.havit.com.au