

## Magneto LED Inground Light



### Description

Introducing a revolutionary new design in inground lighting. The MAGNETO series from Domus features induction technology to transfer electrical current from the base pot to the light unit WITHOUT any cable connection. This avoids water syphoning through the cables and causing the LED light to prematurely fail due to moisture. Also provides for a very easy maintenance by simply unscrewing the light unit and replacing it without the need for an electrician. Ideal as a path light or inground light close to walls or columns to achieve wall washing or v-line effects. 3W 24V DC LED Inground light, 316 Stainless Steel Light Unit, optic lens diffuser. Available as a spot or flood. 24V DC Constant Voltage LED Driver required.



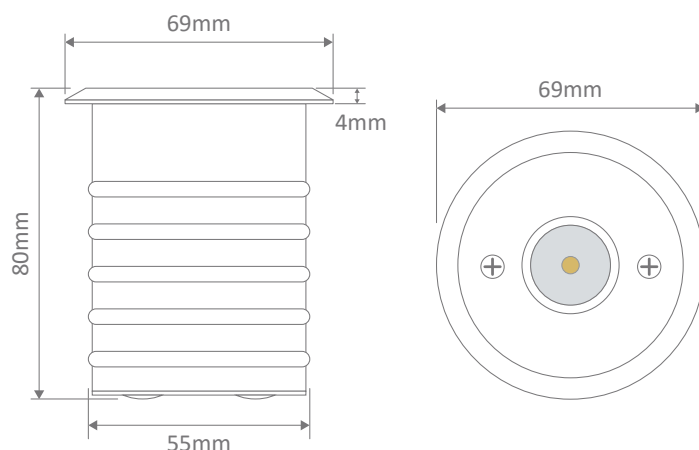
### Specification Features

Input Voltage: 24V DC\*\*  
 Power (W): 3W  
 IP rating (IP): IP67  
 Lumens (lm): Warm White 3000K - 95lm  
 White 6000K - 95lm  
 CCT: 3000K - 5000K  
 CRI: ≥80  
 Beam angle (°): 25° and 60°  
 Dimmable: No  
 Lifespan (hrs): 50,000hrs  
 Cutout (∅): ∅62mm

\*\*requires 24V DC Constant Voltage LED Driver - Wire in Parallel



### Diagrams / Additional



- Order Code: 21080
- Product Code: MAGNETO-3W-SPOT-WW
- Colour: Warm White 3000K
  
- Order Code: 21081
- Product Code: MAGNETO-3W-SPOT-W
- Colour: White 6000K
  
- Order Code: 21082
- Product Code: MAGNETO-3W-FLOOD-WW
- Colour: Warm White 3000K
  
- Order Code: 21083
- Product Code: MAGNETO-3W-FLOOD-W
- Colour: White 6000K