

MURO-30S

30W Twin Spotlight with Sensor



Description

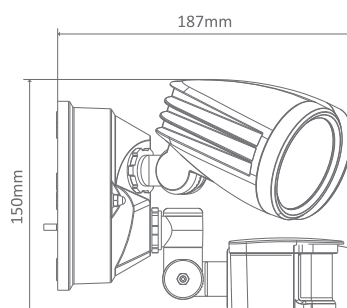
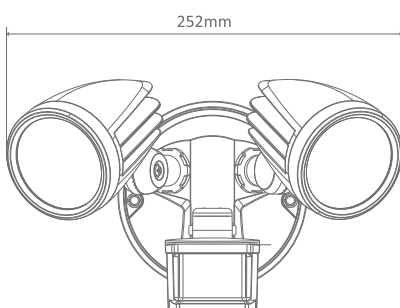
Integrating LED technology with the traditional spotlight, the MURO-30S LED Spot Light provides an efficient and cost-effective solution for outdoor lighting. Constructed from die-cast aluminium, with a glass cover, and rated at IP44, the MURO-30S is capable of braving the elements while providing you with a consistent wash of white LED light over your favourite outdoor areas. The MURO-30S also features a SENSOR, enabling detection and automatic power-up of this super bright LED spot light.



Specification Features

Input Voltage:	240V AC
Power (W):	2 x 15W
IP rating (IP):	44
Lumens (lm):	White 5000K - 2000lm (1000lmx2)
LED type:	Everlight
CCT:	5000K
CRI:	≥80
Beam angle (°):	115°
Dimmable:	No
Lifespan (hrs):	40,000hrs
Detection Area:	180° angle, approx 12M
Duration:	Adjustable from 10±5 sec to 4±1 min
Lux Control Level:	Adjustable from Daylight to Night
Material:	Die-cast + Glass + ABS

Diagrams / Additional



- Order Code: 25022
- Product Code: MURO-30S-B-W
- Colour: Black Body - White 5000K

- Order Code: 25023
- Product Code: MURO-30S-S-W
- Colour: Silver Body - White 5000K

- Order Code: 25024
- Product Code: MURO-30S-W-W
- Colour: White Body - White 5000K