

MURO-26S

26W Twin Spotlight with Sensor



Description

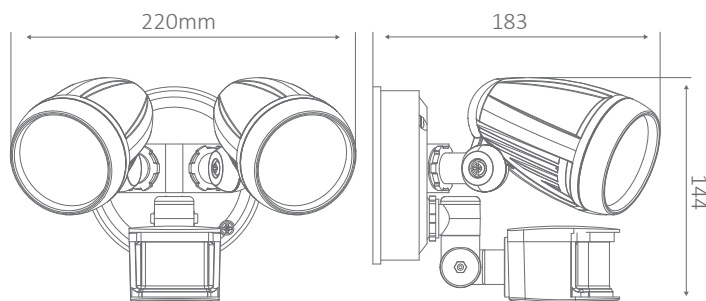
Integrating LED technology with the traditional spotlight, the MURO-26S LED Spot Light provides an efficient and cost-effective solution for outdoor lighting. Constructed from die-cast aluminium, with a glass cover, and rated at IP44, the MURO-26S is capable of braving the elements while providing you with a consistent wash of white LED light over your favourite outdoor areas. The MURO-26S also features a SENSOR, enabling detection and automatic power-up of this super bright LED spot light.



Specification Features

Input Voltage:	240V 50Hz
Power (W):	2 x 13W
IP rating (IP):	44
Lumens (lm):	White 5000K - 1600lm
LED type:	Everlight
CCT:	5000K
CRI:	≥80
Beam angle (°):	120°
Dimmable:	No
Lifespan (hrs):	40,000hrs
Detection Area:	180° angle, approx 12M
Duration:	Adjustable from 10±5 sec to 4±1 min
Lux Control Level:	Adjustable from Daylight to Night
Material:	Die-cast + Glass + ABS

Diagrams / Additional



Order Code: 25010
 Product Code: MURO-26S-B-W
 Colour: Black Body - White 5000K

Order Code: 25011
 Product Code: MURO-26S-S-W
 Colour: Silver Body - White 5000K

Order Code: 25012
 Product Code: MURO-26S-W-W
 Colour: White Body - White 5000K