

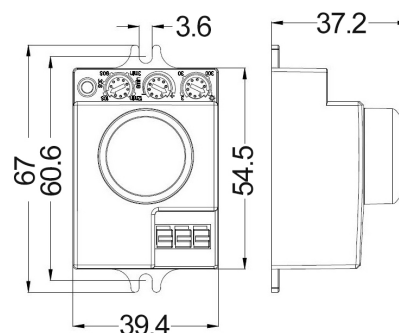
MICROWAVE SENSOR - SENS011

Specification

Part No.	SENS011
Mounting Type	To be installed inside a fitting
Input voltage	220-240V AC 50Hz
Detection Range	360°
Detection Distance	1-8m (radius) adjustable
Detection Motion Speed	0.6-1.5 m/s
Rated Load	1200W HAL/ 300W CFL/ 300W LED
Hold time	Min. 10 sec ± 3sec Max. 12 min ± 1 min
HF System	5.8 GHz CW radar, ISM band
Ambient Light	<3-2000LUX (adjustable)
Ambient Temp	-20 to 50°C
Power consumption	0.9W
Installation Height	2-6m
Housing Material	PC
IP Rating	IP20
Warranty	5 years replacement
Does not operate through metal	
UV resistant	
No manual override	

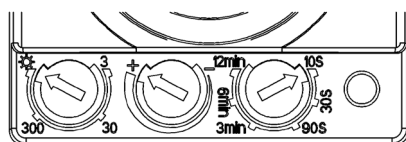


SENS011



TESTING IN DAYLIGHT:

- Turn the LUX dial clockwise to MAXIMUM (sun). Turn the SENS dial clockwise to MAXIMUM (+). Turn the TIME dial anti-clockwise to MINIMUM (10s)



LUX SENS TIME

- Switch on the power: The light fitting will turn on and 10sec±3sec later, the light will turn off automatically. If the sensor detects movement, the light will turn on again.
- If no additional movement is detected after 10s (time pre-set in TIME dial for testing purpose), the light will turn off. If the sensor receives a new induction signal before the 10 seconds are up, the timer will restart from when the last movement was detected.

TESTING AT NIGHT:

- Turn LUX dial anti-clockwise to MINIMUM (3). If the ambient light is less than 3LUX, the light will turn on when movement detected.
- If no additional movement is detected after 10s (time pre-set in TIME dial for testing purpose), the light will turn off. If the sensor receives a new induction signal before the 10 seconds are up, the timer will restart from when the last movement was detected.

Once testing is complete, adjust the LUX, SENS and TIME dials as desired.