

# 24V CONSTANT VOLTAGE WATERPROOF LED DRIVERS

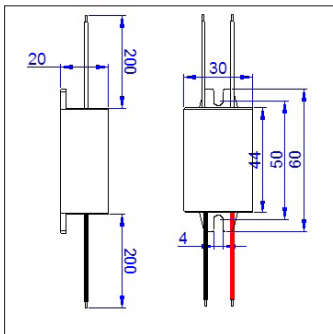
## FEATURES

- Constant voltage
- Short circuit/Overload/Over Temp protection
- Input voltage: 240V AC 50/60Hz
- Output voltage: 24V DC
- IP rating: IP67
- Products passed CE, RoHS Certification
- 2 year replacement warranty

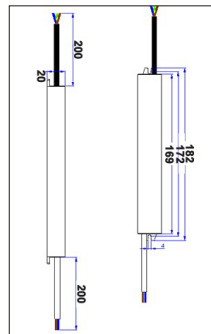


**SAA IP67 CE SELV RoHS**

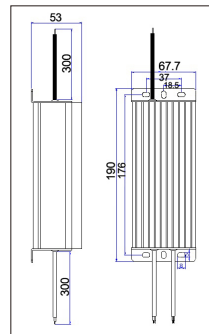
CODE	DESCRIPTION	LOAD	LENGTH	WIDTH	DEPTH	CARTON QTY
OTTER24V1	12W 24V DC 0.5A OUTPUT	12W	60mm	30mm	20mm	1/25
OTTER24V2	30W 24V DC 1.25A OUTPUT	30W	182mm	30mm	20mm	1/25
OTTER24V3	100W 24V DC 4.17A OUTPUT	100W	190mm	68mm	53mm	1/10
OTTER24V4	150W 24V DC 6.25A OUTPUT	150W	242mm	68mm	53mm	1/10



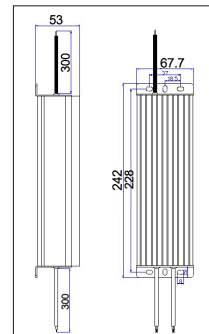
OTTER24V1



OTTER24V2



OTTER24V3



OTTER24V4

UPDATED ON 09/03/2016