

NOVATRIS

LED TRI-CCT MOTION SENSOR DOWNLIGHT IP44

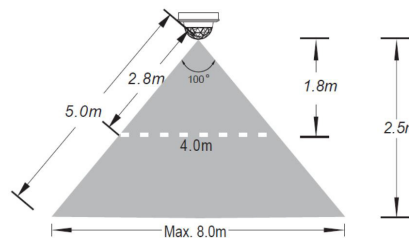
- Input voltage: 220-240V 50Hz
- Inbuilt constant current driver included
- Housing & heatsink: plastic & aluminium
- LED chips: SMD2835
- Colour temperature changeable: 3000K/ 4000K/ 5000K
- Rear switch
- Power factor: 0.9
- CRI: ≥80
- Flex & plug: 1.0m
- Ambient temperature: -20 to 40°C
- Not suitable for dimming
- Suitable for 2-way switching



PIR Sensor

SENSOR TECHNICAL SPEC

- Sensor type: PIR
- Wattage / power consumption: <0.5W
- Installation height: 1.8-2.5m
- Detection angle: 360°
- Motion detection speed: 1.5m/s
- Time delay: 70±10s
- UV resistant: Yes
- Manual override: No



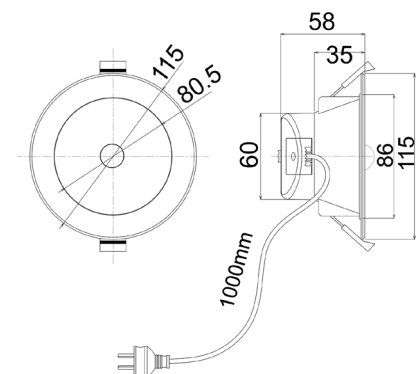
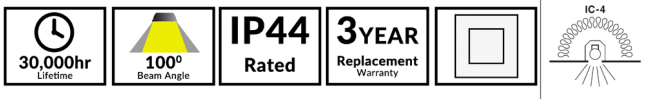
Recommended Height of Installation: 1.8-2.5m

Detection Distance: Max. 8m

Height: 1.8M = 4 meter detection range

Height: 2.5M = 8 meter detection range

*Note: The detection distance will vary with change of installation height



Part No.	Description	Lumens			Watt	CRI	Product Dimensions	Cut out	Box Weight	Box Dimensions	Carton QTY
		3000K	4000K	5000K							
NOVATRIS	D/L LED FIXED DIMM MOTION SENSOR WH RND TRI	750lm	850lm	800lm	9W	80	Ø115x58mm	Ø90mm	0.25kg	12x12x8cm	1/48