

NOVADLUX01

LED Dimmable with **MAGNETIC CHANGEABLE FACEPLATE** Recessed Downlights

TRI-CCT 3000K 4000K 5700K

- Input voltage range: 220-240V 50/60Hz
- Inbuilt constant current driver included
- Housing: aluminium & plastic
- Faceplate: powder coated aluminium
- Diffuser: frosted PC
- Tri-CCT (3000K/ 4000K/ 5700K) in one fitting
- CCT switch on rear
- LED chip: 24pcs SMD2835
- Power factor: 0.9
- CRI: ≥80
- Flex & plug: 600mm
- Ambient temperature: -20 to 40°C
- Suitable for dimming
- Suitable for 2-way switching
- Not suitable for use with sensors

30,000hr
Lifetime

120°
Beam Angle

IP44
Rated

DIMMABLE

3YEAR
Replacement
Warranty

IC-4

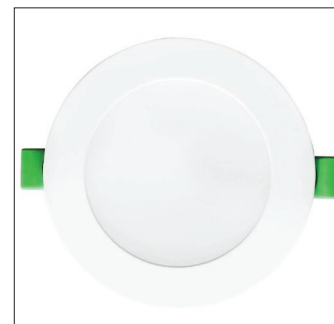
Tested & Recommended Dimmers:

BRAND	PART NO.	PCS PER DIMMER
CLA	LYNX	NOVADLUX01: 1-10PCS
CLIPSAL	32E450TM	
HPM	CAT400T	



NOVADLUX01 Box Include:

- 1x Downlight (NOVADLUX01)
- 1x Loose Satin Chrome (NOVADSC) faceplate
- 1x White faceplate



NOVADLUX01



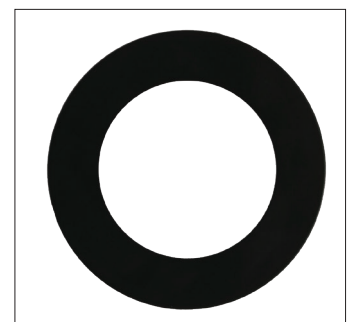
NOVADSC

Available faceplates (Sold Separately):

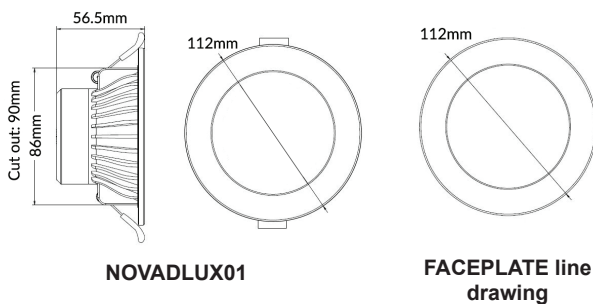
- Matt Black (NOVADBLK)
- Antique Brass (NOVADBR)



NOVADBR



NOVADBLK



PART NO.	DESCRIPTION	LUMENS			WATT	PRODUCT DIMENSIONS (mm)	CUT OUT (mm)	BOX WEIGHT (kg)	BOX DIMENSIONS (cm)	CARTON QTY
		3000K	4000K	5700K						
NOVADLUX01	D/L LED COB FIXED WH+S/C DIMM RND TRI	800lm	950lm	850lm	10	Ø112x56.5	Ø90	0.26	12x12x7	1/40
NOVADBLK	FACEPLATE TO SUIT NOVADLUX01 & NOVACOB01 MATT BLK OD 112mm									
NOVADBR	FACEPLATE TO SUIT NOVADLUX01 & NOVACOB01 ANTIQUE BRASS OD 112mm									