



## MAGNUM SERIES

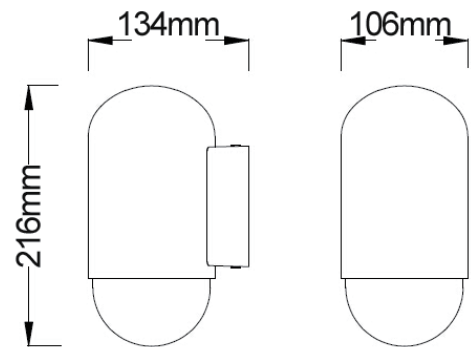
E27 Exterior Wall Lamps

- Input voltage: 240V AC 50Hz
- Matt black & white finish
- Die cast aluminium
- Glass diffuser
- E27 lamp base
- Max.wattage: 60W (Max.8W LED globe)
- Globes not included



▲ MAGNUM1

▲ MAGNUM2



CODE	DESCRIPTION	DIMENSIONS			
		FITTING L (mm)	WIDTH (mm)	DEPTH (mm)	CARTON QTY
MAGNUM1	EXTERIOR OVAL SHAPE WALL LAMP E27 WHITE	216	106	134	1/12
MAGNUM2	EXTERIOR OVAL SHAPE WALL LAMP E27 BLACK	216	106	134	1/12

UPDATED ON 02.12.2016