

# LED FILAMENT G95 & G125 DIMMABLE GLOBES



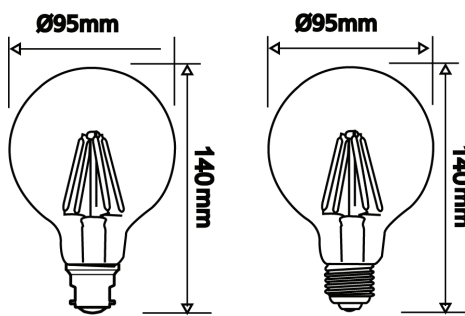
## PRODUCT FEATURES:

- Input Voltage range: 180-260V AC 50/60Hz
- Material: glass
- LED chips: 4x24pcs 5131JC
- Power factor: >0.7
- Ambient Temp: -20 to 50°C
- Suitable for dimming
- Suitable for 2-way switching
- Suitable for use with PIR or Microwave sensors

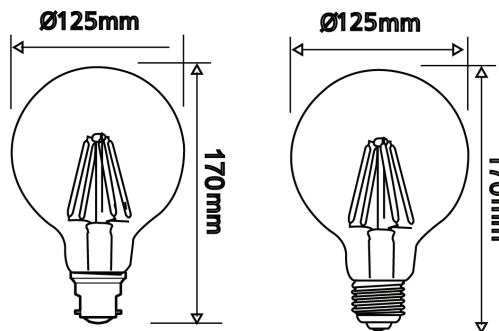


## Tested & Recommended Dimmers:

Brand	Part No.	PCS per Dimmer	
		CF18-21DIM(G95)	CF22-25DIM(G125)
CLA	LYNX	MAX. 15PCS	MAX.10PCS
Legrand	Cat AR400A3PM		
CLIPSAL	32ELEDM		
DIGINET	MEDM		



G95 LINE DRAWINGS



G125 LINE DRAWINGS

Part No.	Description	Base	Kelvin	Lumens	Watt	CRI	Dimension (mm)	Weight (kg)	Box (cm)	Carton QTY
<b>G95</b>										
CF18DIM	GLOBE LED DIMM filament 6W G95 BC	B22	2700K	600lm	6=60W	>80	Ø95x140	0.125	9.5X9.5X14	1/50
CF19DIM	GLOBE LED DIMM filament 6W G95 BC	B22	6000K	600lm	6=60W	>80	Ø95x140	0.125	9.5X9.5X14	1/50
CF20DIM	GLOBE LED DIMM filament 6W G95 ES	E27	2700K	600lm	6=60W	>80	Ø95x140	0.125	9.5X9.5X14	1/50
CF21DIM	GLOBE LED DIMM filament 6W G95 ES	E27	6000K	600lm	6=60W	>80	Ø95x140	0.125	9.5X9.5X14	1/50
<b>G125</b>										
CF22DIM	GLOBE LED DIMM filament 8W G125 BC	B22	2700K	800lm	8=75W	>80	Ø125x170	0.2	12.7X12.7X17.5	1/50
CF23DIM	GLOBE LED DIMM filament 8W G125 BC	B22	6000K	800lm	8=75W	>80	Ø125x170	0.2	12.7X12.7X17.5	1/50
CF24DIM	GLOBE LED DIMM filament 8W G125 ES	E27	2700K	800lm	8=75W	>80	Ø125x170	0.2	12.7X12.7X17.5	1/50
CF25DIM	GLOBE LED DIMM filament 8W G125 ES	E27	6000K	800lm	8=75W	>80	Ø125x170	0.2	12.7X12.7X17.5	1/50