

atom<sup>i</sup>

# LED SPOTLIGHTS

12W IP44 LED Single spotlight with sensor

AT9131

QUICK CONNECT 



## Features

- Ideal for residential, retail and showroom lighting applications
- Integrated LED
- Easy installation



## Colour temperature

Daylight



## Finish

Black, silver and white



## IP Rating

IP44



## Warranty

3 Year warranty

## Product datasheet

## Description

12W IP44 LED Single spotlight with sensor.

## Finish



## Product specification

<b>Voltage</b>	230V~ 50Hz
<b>Power consumption</b>	12W
<b>Light colour options</b>	Daylight (DL)
<b>Lumen output</b>	1000lm
<b>Colour temperature</b>	5000K
<b>Beam Angle</b>	115°
<b>Dimmable</b>	No
<b>Warranty</b>	3 years
<b>Colour rendering index</b>	> 80
<b>Working temperature</b>	-5°C - 40°C
<b>IP Rating</b>	IP44
<b>Electrical classification</b>	Class I
<b>Detection range</b>	Max. 12m at 180° scan
<b>Duration time adjustment</b>	(10±5) seconds to (4±1) minutes
<b>Detection circuitry</b>	Passive infra-red (PIR)

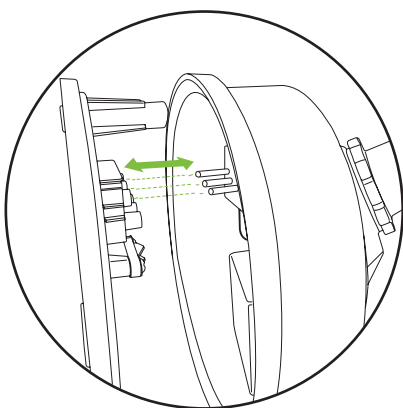
## Product range

Code	Finish	Colour temperature
AT9131/BLK	Black	Daylight
AT9131/SIL	Silver	Daylight
AT9131/WH	White	Daylight

## Dimensions

Width	Height	Depth
117mm	256mm	154mm

## Quick connect detail



Contacts locate into 3-way terminal block for speedy connection.

