

atomⁱ

LED DOWNLIGHT

12W LED Square downlight tri-colour with dimmable driver

AT9021/TRI

TRI-COLOUR 



Features

- Ideal for residential, retail, showroom and decorative lighting applications
- Supplied with dimmable LED Driver
- Three year warranty



Colour temperature

Selectable colour temperature



Finish

Available in White and Satin Chrome



IP44

IP Rating

IP44



Dimmable

On selected dimmers

Product datasheet

Description

12W LED Square downlight tri-colour with dimmable driver.

Finish

White (WH)
 Satin Chrome (SC)

Product specification

| | | | |
|----------------------------------|-------------------------------------|------------|----------|
| Voltage | 220-240V~ 50Hz | | |
| Power consumption | 12W | | |
| Light colour options | Warm white | Cool white | Daylight |
| Lumen output | 1040lm | 1120lm | 1070lm |
| Colour temperature | 3000K | 4000K | 6000K |
| Beam angle | 90° | | |
| Dimmable | Yes* | | |
| Warranty | 3 Years | | |
| Colour rendering index | > 80 | | |
| Working temperature | 0°C – 40°C | | |
| IP Rating | IP44 | | |
| IC Rating | IC-4 | | |
| Electrical classification | Head- Class III Driver- Class II | | |

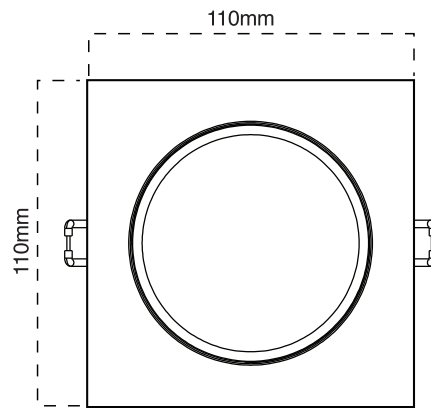
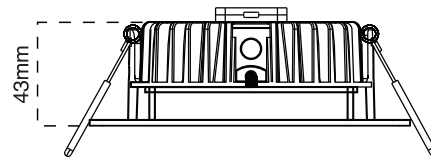
*Dimmable on selected dimmers. For additional information please visit our website.

Product range

| Code | Finish | Temperature |
|---------------|--------------|------------------------|
| AT9021/WH/TRI | White | Selectable temperature |
| AT9021/SC/TRI | Satin chrome | Selectable temperature |

Dimensions

| Length | Width | Height |
|--------|-------|--------|
| 110mm | 110mm | 43mm |



Cut out Ø92mm