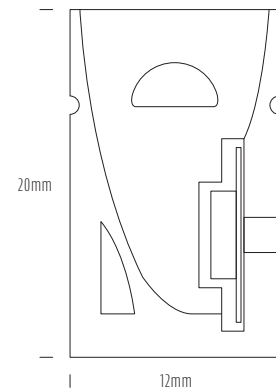
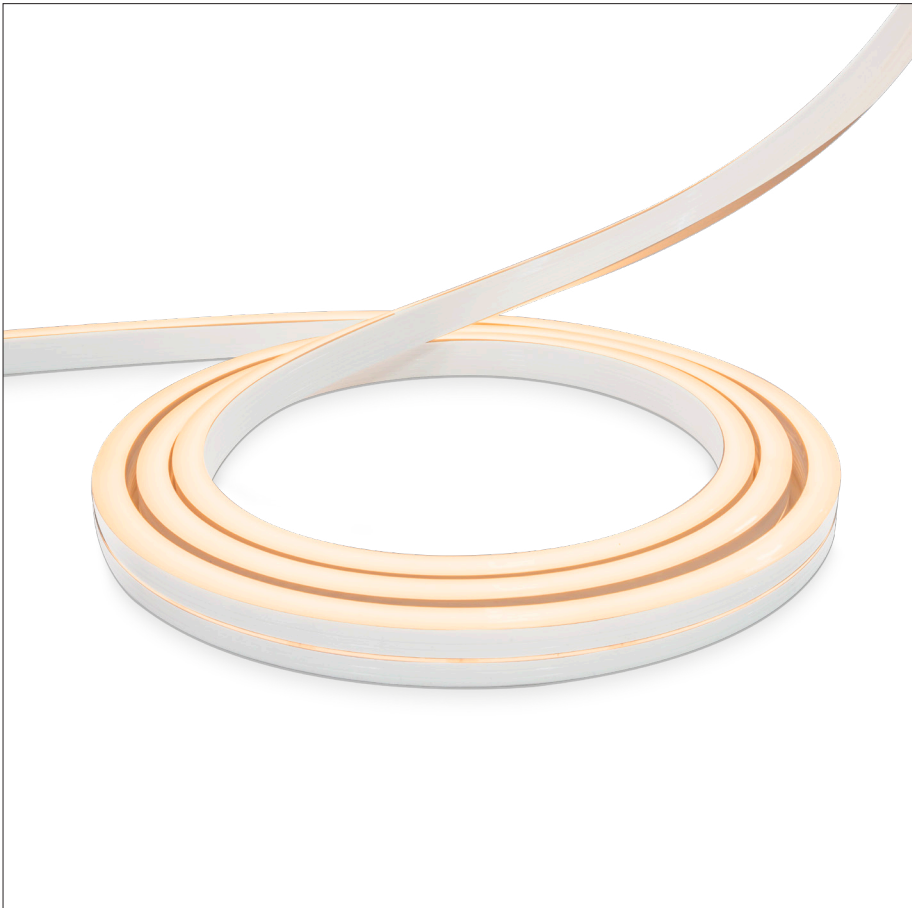


# Neon Flex

- IP65  
INGRESS PROTECTION
- 3y  
YEARS WARRANTY
- SALTWATER RESISTANT
- SOLVENT RESISTANT
- ULTRA VIOLET PROTECTION
- 3s  
STEP MACADAM
- HORIZONTAL BENDING
- LM80  
LUMEN MAINTENANCE
- 24V DC  
OBSERVE POLARITY



Product	AQS-420-Mono
Voltage	24V DC
Watts (per Meter)	10W
IP Rating	IP65
Lumen Output (per Meter)	263lm to 290lm
CCT & Colour Options	2200K to 6500K
Working Mode	Constant Voltage (PWM) / DMX
Max Length (Single Power Feed)	10m
Max Length (Double Power Feed)	20m
Cut Interval	50mm
Bend Direction	Horizontally
Minimum Bend Diameter	120mm
LED Type	SMD5050
LED Qty / M	120pcs
Lumen Maintenance	70,000 Hours L70@ 25°C, 50,000 Hours L70@ 50°C
Materials	Silicone
Emission Angle	120°
Operating Temperature	-20° to +40°C
Installation Temperature	5° to +35°C
Warranty	3 Year Aqualux Warranty

### Dimming Options

PSU Control (PWM / Phase / Remote)  
24V Control (PWM)

For wiring diagrams please refer to the **aqualux website**: [www.aqualux.com.au](http://www.aqualux.com.au) / Support / Downloads / Wiring Diagrams



**1300 662 644**  
**sales@aqualux.com.au**

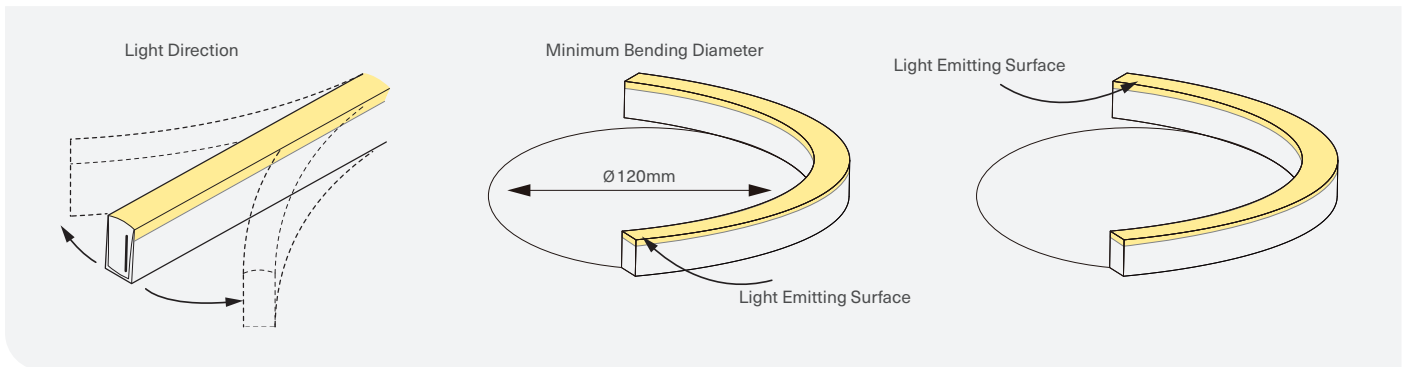
Visit [www.aqualux.com.au](http://www.aqualux.com.au) for: Full product details and available options. Order code configuration & customised datasheets. Voltage drop calculator & LED technical information.

# Neon Flex

## Variations

Product Code	CCT Kelvin	Voltage Direct Current	Watts Meter	Lumens Meter	Min Run Single End	Max Run Double End
AQS-420-27A10	2700K	24V DC	10W	263lm	10m	20m
AQS-420-30A10	3000K	24V DC	10W	270lm	10m	20m
AQS-420-40A10	4000K	24V DC	10W	285lm	10m <td 20m	
AQS-420-50A10	5000K	24V DC	10W	290lm	10m	20m
AQS-420-60A10	6000K	24V DC	10W	290lm	10m	20m

### Bending Directions



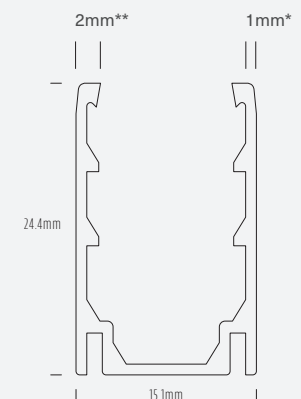
## Mounting Channels

Channel in use



### Mounting Channels

1 meter and 2 meter lengths.



\*1mm thick wall.

\*\*2mm thick wall including grip.



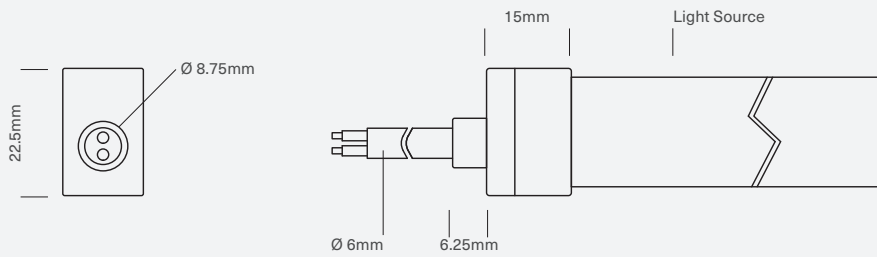
1300 662 644  
sales@aqualux.com.au

Visit [www.aqualux.com.au](http://www.aqualux.com.au) for: Full product details and available options. Order code configuration & customised datasheets. Voltage drop calculator & LED technical information.

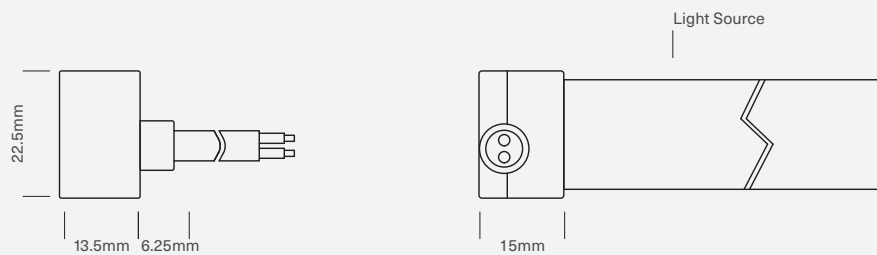
# Neon Flex

## Injection Moulded Connectors Dimensions

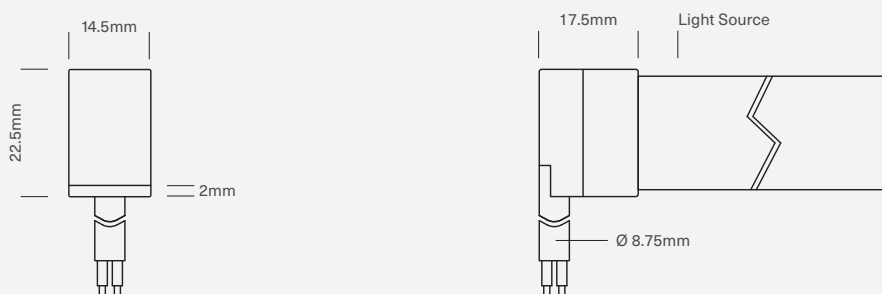
Direct Cable Entry



Side Cable Entry



Bottom Cable Entry



1300 662 644  
[sales@aqualux.com.au](mailto:sales@aqualux.com.au)



# Neon Flex

## AQS Family Reference Table

Product	Type	IP Rating	LED Options	Size mm	Power/m	Application
AQS-170	Cob Strip	IP20	Mono	10mm	10W DC	Internal / Profile required
AQS-260	Classic	IP65	Mono	10mm	12W AC / 15W DC	External / Profile required
AQS-400	Neon Flex	IP65	Mono	10 x 9	5W DC / 10W DC	External / No profile required
AQS-401	Neon Flex	IP65	Mono	10 x 10	10W DC	External / No profile required
AQS-410	Neon Flex	IP65	RGB	13 x 12	10W DC	External / No profile required
AQS-420	Neon Flex	IP65	Mono / RGBW	12 x 20	10W / 15W	External / No profile required
AQS-500	Neon Flex	IP68	Mono / RGB / RGBW / DMX	11.5 x 21	5W / 8W / 12W / 18W	External / Submerged / No profile
AQS-505	Neon Flex	IP68	Mono	13.5 x 13.5	10W	External / Submerged / No profile
AQS-510	Neon Flex	IP68	Mono / RGB / RGBW / DMX	16.5 x 16.5	10W / 13W / 17W / 18W	External / Submerged / No profile

## Extension Wire Recommendations

Maximum extension wire length according to light power

Watts	22AWG 0.34mm <sup>2</sup>	20AWG 0.53mm <sup>2</sup>	18AWG 0.82mm <sup>2</sup>	17AWG 1.04mm <sup>2</sup>	16AWG 1.38mm <sup>2</sup>	14AWG 2.07mm <sup>2</sup>	12AWG 3.29mm <sup>2</sup>	10AWG 5.62mm <sup>2</sup>
10W	36m	60m	100m	120m	140m	240m	400m	600m
20W	18m	30m	50m	60m	70m	120m	200m	300m
30W	12m	20m	30m	38m	45m	80m	130m	200m
40W	8m	15m	22m	28m	35m	60m	95m	140m
50W	6m	12m	18m	22m	28m	48m	75m	105m
60W	5m	10m	15m	18m	22m	36m	60m	88m
70W	-	8m	12m	14m	18m	30m	50m	72m
80W	-	6m	10m	11m	14m	24m	40m	58m
90W	-	4m	7m	8m	10m	18m	30m	45m
100W	-	-	5m	6m	7m	12m	22m	32m
110W	-	-	3m	4m	5m	8m	15m	22m
120W	-	-	2m	2.5m	3m	0m	8m	12m



1300 662 644  
sales@aqualux.com.au

Visit [www.aqualux.com.au](http://www.aqualux.com.au) for: Full product details and available options.  
Order code configuration & customised datasheets. Voltage drop calculator & LED technical information.