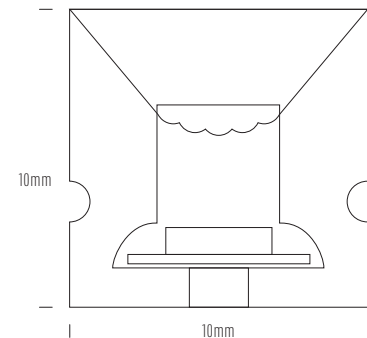


Neon Flex

- 
IP65
INGRESS PROTECTION
- 
3y
YEARS WARRANTY
- 
SALTWATER RESISTANT
- 
SOLVENT RESISTANT
- 
ULTRA VIOLET PROTECTION
- 
3s
STEP MACADAM
- 
YES
VERTICAL BENDING
- 
LM80
LUMEN MAINTENANCE
- 
24V DC
OBSERVE POLARITY



Product	AQS-401-Mono
Voltage	24V DC
Watts (per Meter)	10W / 5W
IP Rating	IP65
Lumen Output (per Meter)	680lm / 200lm
CCT & Colour Options	2700-6000K (2700K stocked)
Working Mode	Constant Voltage (PWM) / DMX
Max Length (Single Power Feed)	5m
Max Length (Double Power Feed)	10m
Cut Interval	36mm
Bend Direction	Vertically
Minimum Bend Diameter	80mm
LED Type	2835
LED Qty / M	168
Lumen Maintenance	70,000 Hours L70@ 25°C, 50,000 Hours L70@ 50°C
Materials	Silicon
Emission Angle	180°
Operating Temperature	-20° to +40°C
Installation Temperature	5° to +35°C
Warranty	3 Year Aqualux Warranty

Dimming Options
 PSU Control (1-10V / PWM / Phase / Remote)
 24V Control (PWM)

Adhesive Mounting
 Mounting tape available

For wiring diagrams please refer to the **aqualux website**: www.aqualux.com.au / Support / Downloads / Wiring Diagrams

1300 662 644
sales@aqualux.com.au



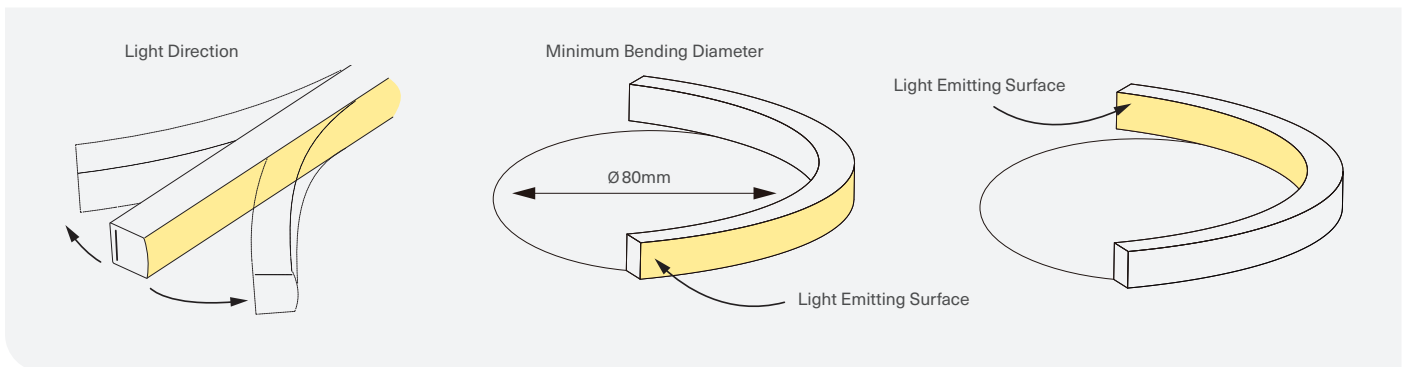
Neon Flex

Variations

Product Code	CCT Kelvin	Voltage Direct Current	Watts Meter	Lumens Meter	Min Run Single End	Max Run Double End
AQS-401-27A05	2700K	24V DC	5W	200lm	8m	16m
AQS-401-27A10	2700K	24V DC	10W	500lm	8m	16m
AQS-401-30A10	3000K	24V DC	10W	550lm	8m	16m
AQS-401-40A10	4000K	24V DC	10W	580lm	8m	16m
AQS-401-50A10	5000K	24V DC	10W	600lm	8m	16m
AQS-401-60A10	6000K	24V DC	10W	620lm	8m	16m

2700K stocked item

Bending Directions



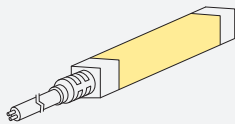
1300 662 644
sales@aqualux.com.au

Visit www.aqualux.com.au for: Full product details and available options. Order code configuration & customised datasheets. Voltage drop calculator & LED technical information.

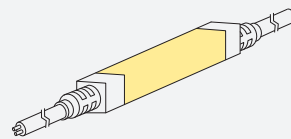
Cable Entry Options

Direct Cable Entry

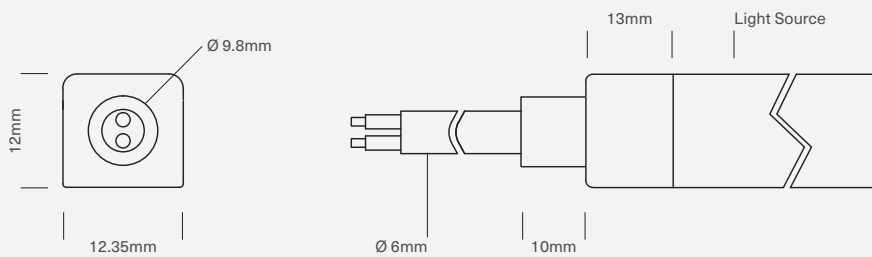
D01



D03

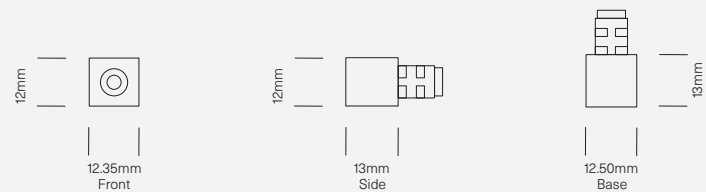


Dimensions



Silicone End Caps

The use of glues and resins as fixing agents should be avoided. If the use of a glue or adhesive compound cannot be avoided, a neutral pH silicone-based compound is suggested. High VOC, Epoxy-based resins, cyanoacrylate or other adhesives will void the warranty.



1300 662 644
sales@aqualux.com.au

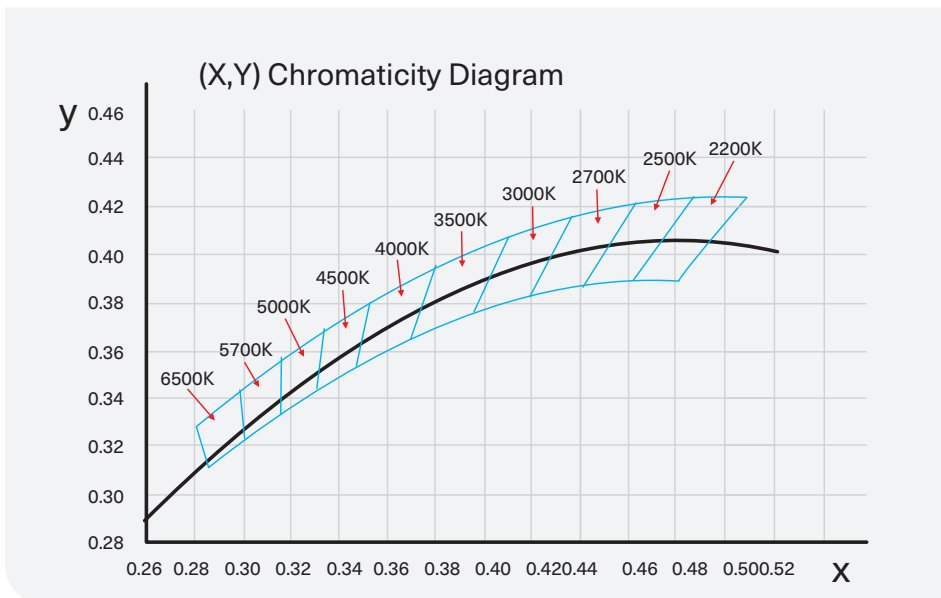


Visit www.aqualux.com.au for: Full product details and available options. Order code configuration & customised datasheets. Voltage drop calculator & LED technical information.

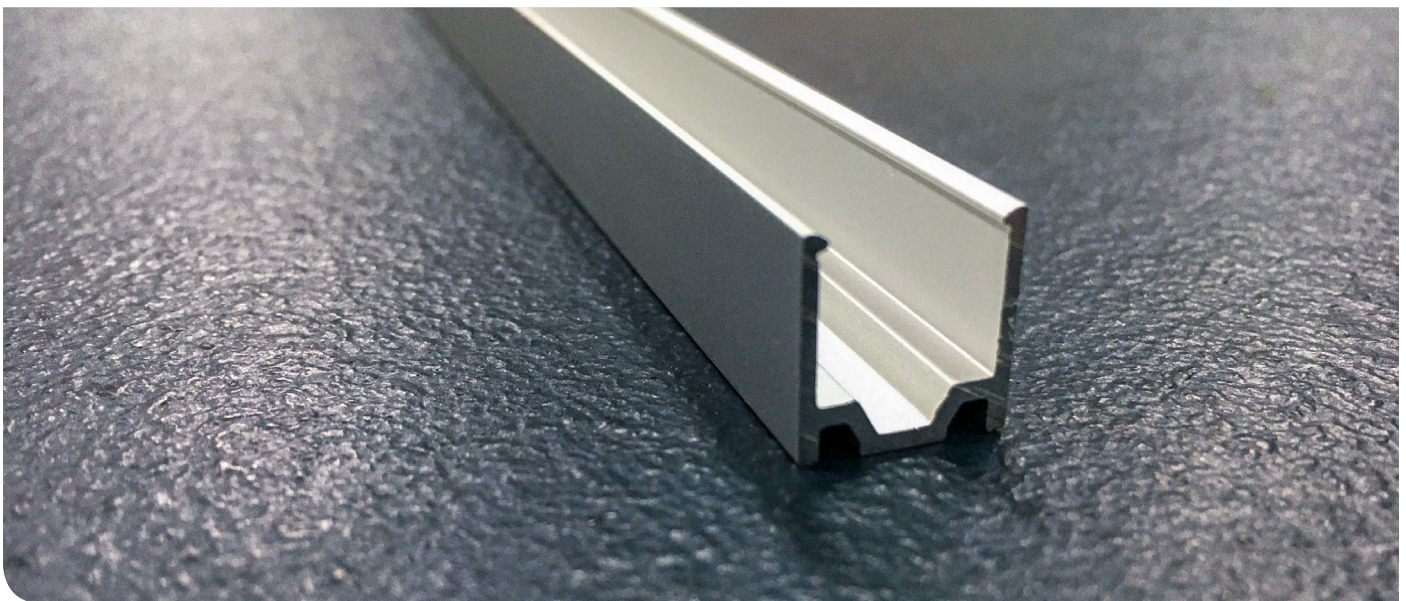
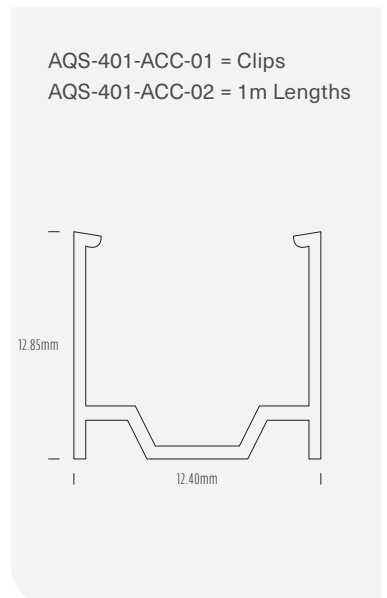
Neon Flex

Charts and Diagrams

White Colour Chart



Mounting Channels



1300 662 644
sales@aqualux.com.au



Visit www.aqualux.com.au for: Full product details and available options.
Order code configuration & customised datasheets. Voltage drop calculator & LED technical information.

Neon Flex

AQS Family Reference Table

Product	Type	IP Rating	LED Options	Size mm	Power/m	Application
AQS-170	Cob Strip	IP20	Mono	10mm	10W DC	Internal / Profile required
AQS-260	Classic	IP65	Mono	10mm	12W AC / 15W DC	External / Profile required
AQS-400	Neon Flex	IP65	Mono	10 x 9	5W DC / 10W DC	External / No profile required
AQS-401	Neon Flex	IP65	Mono	10 x 10	10W DC	External / No profile required
AQS-410	Neon Flex	IP65	RGB	13 x 12	10W DC	External / No profile required
AQS-420	Neon Flex	IP65	Mono / RGBW	12 x 20	10W / 15W	External / No profile required
AQS-500	Neon Flex	IP68	Mono / RGB / RGBW / DMX	11.5 x 21	5W / 8W / 12W / 18W	External / Submerged / No profile
AQS-505	Neon Flex	IP68	Mono	13.5 x 13.5	10W	External / Submerged / No profile
AQS-510	Neon Flex	IP68	Mono / RGB / RGBW / DMX	16.5 x 16.5	10W / 13W / 17W / 18W	External / Submerged / No profile

Extension Wire Recommendations

Maximum extension wire length according to light power

Watts	22AWG 0.34mm ²	20AWG 0.53mm ²	18AWG 0.82mm ²	17AWG 1.04mm ²	16AWG 1.38mm ²	14AWG 2.07mm ²	12AWG 3.29mm ²	10AWG 5.62mm ²
10W	36m	60m	100m	120m	140m	240m	400m	600m
20W	18m	30m	50m	60m	70m	120m	200m	300m
30W	12m	20m	30m	38m	45m	80m	130m	200m
40W	8m	15m	22m	28m	35m	60m	95m	140m
50W	6m	12m	18m	22m	28m	48m	75m	105m
60W	5m	10m	15m	18m	22m	36m	60m	88m
70W	-	8m	12m	14m	18m	30m	50m	72m
80W	-	6m	10m	11m	14m	24m	40m	58m
90W	-	4m	7m	8m	10m	18m	30m	45m
100W	-	-	5m	6m	7m	12m	22m	32m
110W	-	-	3m	4m	5m	8m	15m	22m
120W	-	-	2m	2.5m	3m	0m	8m	12m



1300 662 644
sales@aqualux.com.au

Visit www.aqualux.com.au for: Full product details and available options.
Order code configuration & customised datasheets. Voltage drop calculator & LED technical information.