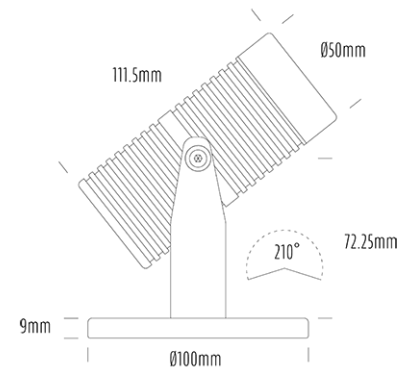


# Pond Light



## SPECIFICATIONS

|                       |   |
|-----------------------|---|
| Product Code          | AQL-540                                 |
| Family                | Phoenix                                 |
| Construction Material | Solid Cast Brass                        |
| Cable                 | 5m Aqualux 2-Core Silicone / PTFE Cable |
| IP Rating             | IP68                                    |
| Warranty              | 5 Year Aqualux Warranty                 |

## CONFIGURED OPTIONS

|                |                       |
|----------------|-----------------------|
| Variant Code   | AQL-540-B5X007RD25S   |
| Body Colour    | Copper                |
| Control Gear   | 12~24V AC / 24V DC    |
| Rated Power    | 7W                    |
| Nominal Lumens | 280 lm                |
| CCT / Colour   | Red 630nm             |
| Optical        | 25                    |
| CRI            | 00                    |
| Other          | 5m Aqualux Cable      |
| Dimming        | Optional 10V PWM (DC) |

## INTRODUCTION

Made from cast brass for the best possible durability underwater or in harsh coastal environments the AQL-540 is the ultimate pond light.



**1300 662 644**  
**sales@aqualux.com.au**