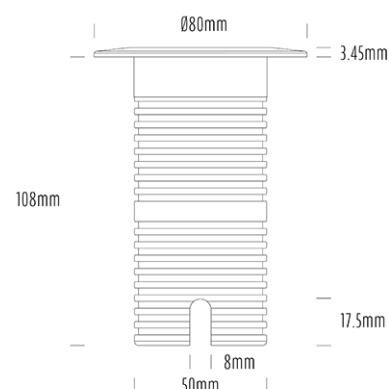


Uplight



SPECIFICATIONS

| | |
|-----------------------|------------------------------|
| Product Code | AQL-530 |
| Family | Phoenix |
| Construction Material | Solid Cast Brass |
| Cable | 1M Aqualux PLUS QuickConnect |
| IP Rating | IP68 |
| Warranty | 5 Year Aqualux Warranty |

CONFIGURED OPTIONS

| | |
|----------------|--------------------------|
| Variant Code | AQL-530-B6X007GN10Q |
| Body Colour | Natural Brass |
| Control Gear | 12~24V AC / 24V DC |
| Rated Power | 7W |
| Nominal Lumens | 420 lm |
| CCT / Colour | Green 530nm |
| Optical | 10 |
| CRI | 00 |
| Other | AqualuxPLUS QuickConnect |
| Dimming | Optional 10V PWM (DC) |

INTRODUCTION

Sharing many of the same components as the AQL-540, the AQL-530 is designed to withstand the worst conditions nature can offer. Solid cast brass with 4 finish options and epoxy encapsulated internals the AQL-530 is suitable for any application that requires the best in reliability and performance.



1300 662 644
sales@aqualux.com.au