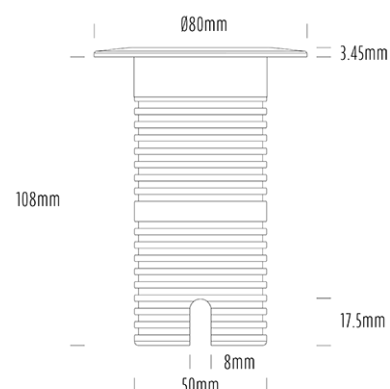


# Uplight



## SPECIFICATIONS

Product Code	AQL-530
Family	Phoenix
Construction Material	Solid Cast Brass
Cable	1M Aqualux PLUS QuickConnect
IP Rating	IP68
Warranty	5 Year Aqualux Warranty

## CONFIGURED OPTIONS

Variant Code	AQL-530-B5X007AMA2Q
Body Colour	Copper
Control Gear	12~24V AC / 24V DC
Rated Power	7W
Nominal Lumens	320 lm
CCT / Colour	Amber 585nm
Optical	A2
CRI	00
Other	AqualuxPLUS QuickConnect
Dimming	Optional 10V PWM (DC)

## INTRODUCTION

Sharing many of the same components as the AQL-540, the AQL-530 is designed to withstand the worst conditions nature can offer. Solid cast brass with 4 finish options and epoxy encapsulated internals the AQL-530 is suitable for any application that requires the best in reliability and performance.



1300 662 644  
[sales@aqualux.com.au](mailto:sales@aqualux.com.au)