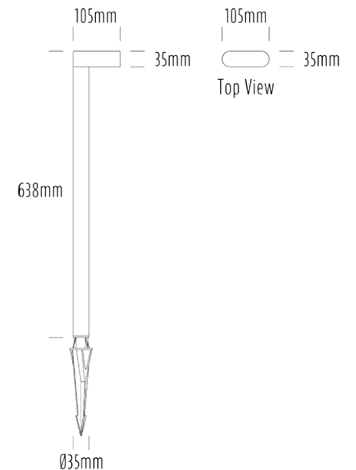


Fixed pathlight



SPECIFICATIONS

| | |
|-----------------------|-------------------------|
| Product Code | AQL-120 |
| Family | Lumena |
| Construction Material | CNC Machined Aluminium |
| IP Rating | IP65 |
| Warranty | 5 Year Aqualux Warranty |

CONFIGURED OPTIONS

| | |
|----------------|--------------------------|
| Variant Code | AQL-120-A2X00727DFQ |
| Body Colour | Dulux Black Ace 9069116F |
| Control Gear | 12~24V AC / 24V DC |
| Rated Power | 7W |
| Nominal Lumens | 550 lm |
| CCT / Colour | 2700K / 550mA |
| Optical | DF |
| CRI | 90 |
| Other | AqualuxPLUS QuickConnect |
| Dimming | Optional 10V PWM (DC) |

INTRODUCTION

The AQL-120 is a minimalist offset path light, with an integrated LED and diffuse glass cover for spreading light evenly and smoothly across a pathway. Available October 2020.



1300 662 644
sales@aqualux.com.au