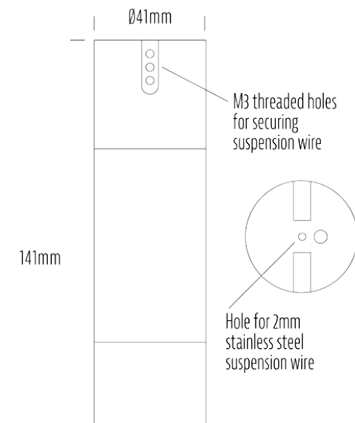


# Suspended Downlight



1300 662 644  
[sales@aqualux.com.au](mailto:sales@aqualux.com.au)

## SPECIFICATIONS

Product Code	AQL-108
Family	Lumena
Construction Material	CNC Machined & Anodised Aluminium 6061
Cable	900mm Aqualux 2-Core Silicone / PTFE Cable
IP Rating	IP67
Warranty	5 Year Aqualux Warranty
Additional	Fitting can be threaded onto catenary wire through M3 hole. Stainless Steel suspension wire and accessories not included.

## CONFIGURED OPTIONS

Variant Code	AQL-108-A2X0042725Q
Body Colour	Dulux Black Ace 9069116F
Control Gear	12~24V AC / 24V DC
Rated Power	4W
Nominal Lumens	300 lm
CCT / Colour	2700K / 300mA
Optical	25
CRI	90
Other	AqualuxPLUS QuickConnect
Dimming	Optional 10V PWM (DC)

## INTRODUCTION

The AQL-108 is a hanging downlight suspended via 2mm steel cable or similar (not supplied). Suspension cable can run vertical or horizontal. Featuring a recessed, anti-glare end cap and a range of output and optical options, the AQL-108 is IP67 rated for full outdoor use.



**1300 662 644**  
**sales@aqualux.com.au**